



# EVOLVE

DECORATIVE WIRING ACCESSORIES



## Technical Data

### 10 Amp 3 Pole Fan Isolator

#### Brief product description:

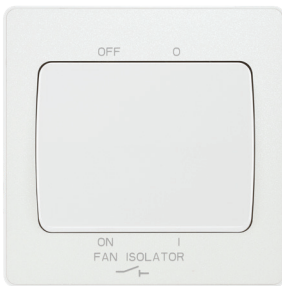
BG's Evolve range of wiring accessories is available in a variety of colours and finishes to give you greater choice and flexibility when choosing electrical accessories to complement your decor.

The modern screwless front plate is simple to clip on and off, so you can install or leave the base in place when decorating and clip the colour plate in place once the job is complete.

#### Features:

- Easy to install, supplied with fixing screws and installation instructions
- Captive backed out terminal screws for fast installation and to prevent screw loss
- Screwless front plate clips on and off easily, ideal for redecorating
- Triple pole switching design, however can be used for double pole applications if required

#### Product Images



PCDCL15W



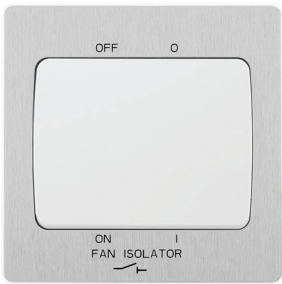
PCDMG15B



PCDDB15B



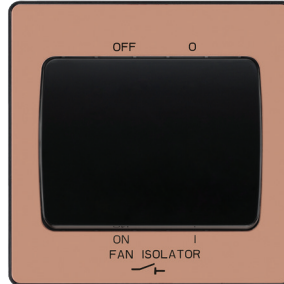
PCDSB15B



PCDBS15W



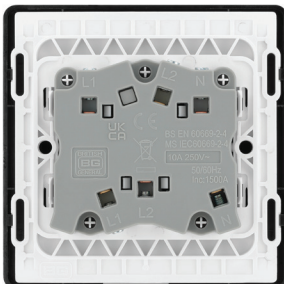
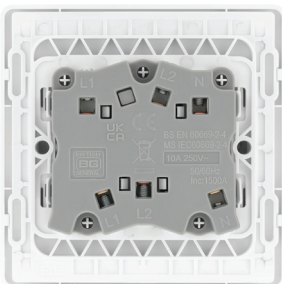
PCDMB15B



PCDCP15B



PCDBC15B



#### Colour Reference:

CL = Pearlescent White; MG = Matt Grey; DB = Matt Blue; SB = Satin Brass

BS = Brushed Steel; MB = Matt Black; CP = Polished Copper; BC = Black Chrome

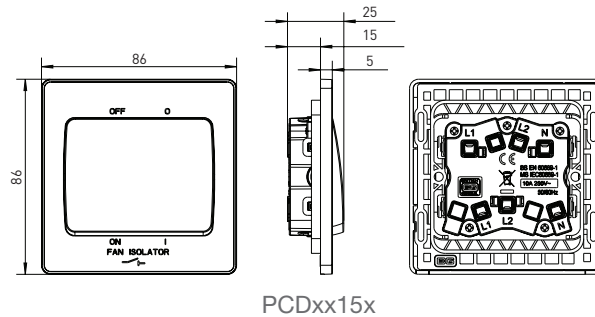
# 10 Amp 3 Pole Fan Isolator

## Technical Specifications

Standard(s)	BS EN 60669-2-4
Rating	10 Amp
Voltage	250V AC
Switch Type	Triple Pole
Terminal Capacity	4 x 1mm <sup>2</sup> 4 x 1.5mm <sup>2</sup> 2 x 2.5mm <sup>2</sup> & 1 x 4.0mm <sup>2</sup>
RoHS Directive	Yes
WEEE Directive	Yes
Mounting Box Depth (Min)	25mm



## Line Diagrams



## Packaging Information

Cat No.	Description	Packaging Type			Pack Quantity			Barcode		
		Product	Inner Box	Outer Box	Each	Inner Box	Outer Box	Individual	Inner Box	Outer Box
PCDCL15W	Fan Isolator - CL	Eco Blister	Eco Blister	Carton	1	5	50	5050765192781	5050765193139	5050765193481
PCDBS15W	Fan Isolator - BS	Eco Blister	Eco Blister	Carton	1	5	50	5050765187626	5050765187947	5050765188265
PCDMG15B	Fan Isolator - MG	Eco Blister	Eco Blister	Carton	1	5	50	5050765184564	5050765184915	5050765185264
PCDMB15B	Fan Isolator - MB	Eco Blister	Eco Blister	Carton	1	5	50	5050765183512	5050765183864	5050765184212
PCDDB15B	Fan Isolator - DB	Colour Box	Colour Box	Carton	1	/	/	5050765224659	/	/
PCDCP15B	Fan Isolator - CP	Colour Box	Colour Box	Carton	1	/	/	5050765225588	/	/
PCDSB15B	Fan Isolator - SB	Colour Box	Colour Box	Carton	1	/	/	5050765190688	/	/
PCDBC15B	Fan Isolator - BC	Colour Box	Colour Box	Carton	1	/	/	5050765188586	/	/

### Colour Reference:

CL = Pearlescent White; MG = Matt Grey; DB = Matt Blue; SB = Satin Brass

BS = Brushed Steel; MB = Matt Black; CP = Polished Copper; BC = Black Chrome

## Weights & Dimensions

Cat No.	Description	Dimensions (H x W x D) cm				Weight (kg)				CBM (m <sup>3</sup> )
		Unpacked Product	Packed Product	Inner Box	Outer Box	Unpacked Product	Packed Product	Inner Box	Outer Box	Outer Box
PCDxx15x	Fan Isolator (EB)	8.6 x 8.6 x 2.5	15.3 x 11.8 x 2.9	12.7 x 9.2 x 20.7	22.6 x 26.3 x 48.3	0.071	0.091	0.51	5.37	0.02871
PCDxx15x	Fan Isolator (CB)	8.6 x 8.6 x 2.5	8.7 x 9.0 x 4.3	/	/	0.071	0.099	/	/	/

### Packaging Format:

(CB) = Colour Box; (EB) = Eco Blister