



EVOLVE

DECORATIVE WIRING ACCESSORIES

Technical Data

20 Amp Double Pole Switch

Brief product description:

BG's Evolve range of wiring accessories is available in a variety of colours and finishes to give you greater choice and flexibility when choosing electrical accessories to complement your decor.

The modern screwless front plate is simple to clip on and off, so you can install or leave the base in place when decorating and clip the colour plate in place once the job is complete.

Features:

- Easy to install, supplied with fixing screws and installation instructions
- LED Indicator - flush fit, reliable, low power
- Colour coded terminals for easy identification
- Captive backed out terminal screws prevent screw loss
- Screwless front plate clips on and off easily, ideal for redecorating
- Double pole for peace of mind and safer installation

Product Images



PCDCL31W



PCDMG31B



PCDDB31B



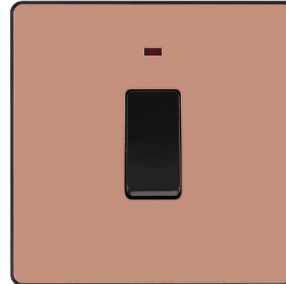
PCDSB31B



PCDBS31W



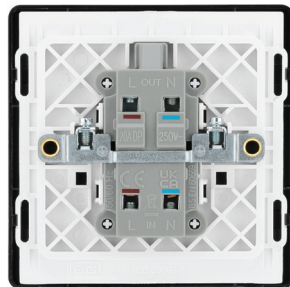
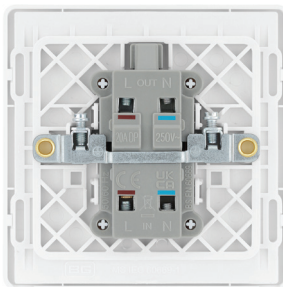
PCDMB31B



PCDCP31B



PCDBC31B



Colour Reference:

CL = Pearlescent White; MG = Matt Grey; DB = Matt Blue; SB = Satin Brass

BS = Brushed Steel; MB = Matt Black; CP = Polished Copper; BC = Black Chrome

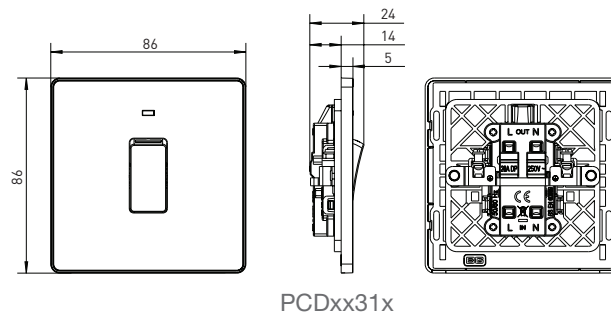
20 Amp Double Pole Switch

Technical Specifications

Standard(s)	BS EN 60669-1
Rating	20 Amp
Voltage	250V AC
Terminal Capacity	3 x 2.5mm ² 3 x 4.0mm ² & 1 x 6.0mm ²
RoHS Directive	Yes
WEEE Directive	Yes
Mounting Box Depth (Min)	25mm



Line Diagrams



Packaging Information

Cat No.	Description	Packaging Type			Pack Quantity			Barcode		
		Product	Inner Box	Outer Box	Each	Inner Box	Outer Box	Individual	Inner Box	Outer Box
PCDCL31W	20A DP SW + LED - CL	Eco Blister	Colour Box	Carton	1	5	50	5050765192927	5050765193276	5050765193627
PCDBS31W	20A DP SW + LED - BS	Eco Blister	Colour Box	Carton	1	5	50	5050765187763	5050765188081	5050765188401
PCDMG31B	20A DP SW + LED - MG	Eco Blister	Colour Box	Carton	1	5	50	5050765184700	5050765185059	5050765185400
PCDMB31B	20A DP SW + LED - MB	Eco Blister	Colour Box	Carton	1	5	50	5050765183659	5050765184007	5050765184359
PCDDB31B	20A DP SW + LED - DB	Colour Box	Colour Box	Carton	1	/	/	5050765225021	/	/
PCDCP31B	20A DP SW + LED - CP	Colour Box	Colour Box	Carton	1	/	/	5050765225953	/	/
PCDSB31B	20A DP SW + LED - SB	Colour Box	Colour Box	Carton	1	/	/	5050765190824	/	/
PCDBC31B	20A DP SW + LED - BC	Colour Box	Colour Box	Carton	1	/	/	5050765188722	/	/

Colour Reference:

CL = Pearlescent White; MG = Matt Grey; DB = Matt Blue; SB = Satin Brass
 BS = Brushed Steel; MB = Matt Black; CP = Polished Copper; BC = Black Chrome

Weights & Dimensions

Cat No.	Description	Dimensions (H x W x D) cm				Weight (kg)				CBM (m ³)
		Unpacked Product	Packed Product	Inner Box	Outer Box	Unpacked Product	Packed Product	Inner Box	Outer Box	Outer Box
PCDxx31x	20A DP SW + LED (EB)	8.6 x 8.6 x 2.4	15.3 x 11.8 x 2.7	12.7 x 9.2 x 20.7	22.6 x 26.3 x 48.3	0.073	0.093	0.52	5.47	0.02871
PCDxx31x	20A DP SW + LED (CB)	8.6 x 8.6 x 2.4	8.7 x 9.0 x 4.3	/	/	0.073	0.101	/	/	/

Packaging Format:

(CB) = Colour Box; (EB) = Eco Blister