



# Technical Data

## Weatherproof Outdoor Power Kit

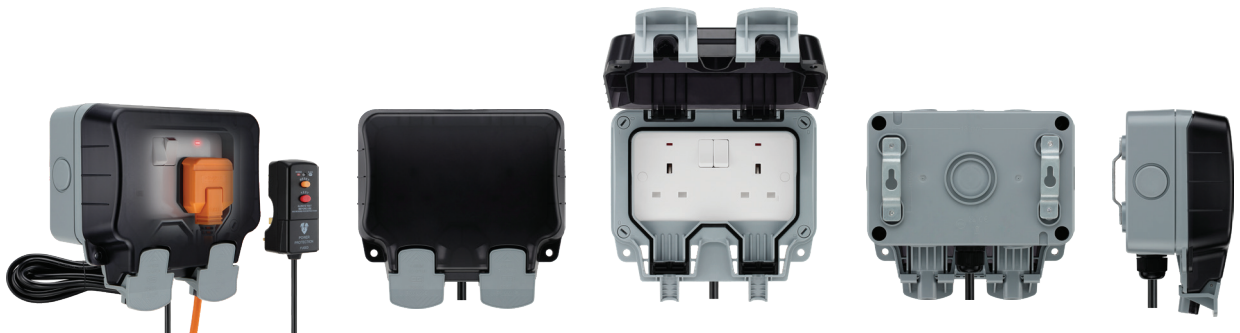
### Brief product description:

IP rated accessories designed to protect against ingress from water jets and dust, with durable seals that maintain integrity and a robust polycarbonate housing for high impact resistance which will not crack or fade, ensuring longevity of life.

### Features:

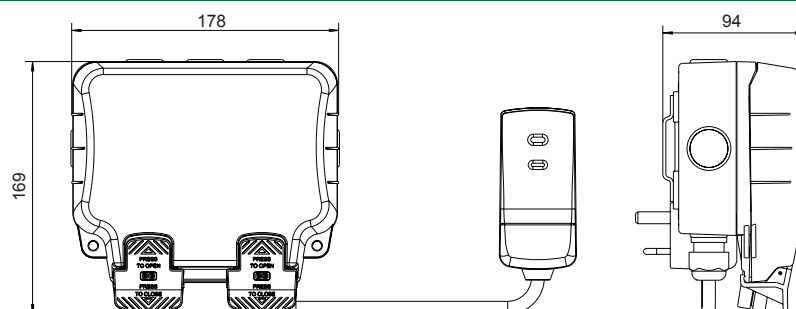
- IP66 rated when in use
- Colour coded terminals with backed out captive screws for easy installation
- Cover will stay open to allow for easy access to sockets
- See-through cover allows status of switches to be seen
- RCD plug - non-latching type
- Suitable for temporary installation only
- 30mA trip current, 40mS trip speed
- Fast fix - no separate screws, no screw covers, 150° rotation
- Patented cable entry - prevents accidental opening of cover by pulling of connected cable
- Large open/closer paddles for easier operation, flush fit to prevent accidental damage
- Cable entries in the 4 sides have removable blanking caps except for the middle entry on the bottom face which is prewired with a cable gland. 1 drill out entry 20/25mm in rear face
- Socket is prewired with 3m of 3 core 1.25mm<sup>2</sup> black flex to BS6500, the end of cable is prepared for wiring direct to the RCD plug
- 2 Earth terminals in socket, 1 Earth terminal in mounting box

### Product Images



WP22KIT/3

### Line Diagrams



WP22KIT/3



# Weatherproof Outdoor Power Kit

## Technical Specifications

Standard(s)	BS 1363-2:2016+A1:2018 (Socket) BS 7071 (RCD Plug)	
Rating	13 Amp 250V AC	
Trip current	30mA (RCD Plug)	
Switch Type	Single Pole	
Contact Gap	3.0mm minimum	
Terminal Capacity	3 x 2.5mm <sup>2</sup> 3 x 4mm <sup>2</sup> 2 x 6.0mm <sup>2</sup>	
IP Rating	IP66	
RoHS Directive	Yes	
WEEE Directive	Yes	
Number of 20mm cable entries	8 x 20mm. 1 in each of the 2 sides and 3 in each of the top and bottom faces 1 drill out entry 20/25mm in rear face (Socket)	
RCD Plug	114mm x 51mm x 72mm	

## Packaging Information

Cat No.	Description	Packaging Type			Pack Quantity			Barcode		
		Product	Inner Box	Outer Box	Each	Inner Box	Outer Box	Individual	Inner Box	Outer Box
WP22KIT/3	2G Skt with RCD Plug	Printed Box	Box	Carton	1	/	10	5050765022224	/	5050765022323

## Weights & Dimensions

Cat No.	Description	Dimensions (H x W x D) cm			Weight (kg)			CBM (m <sup>3</sup> )
		Unpacked Product	Packed Product	Outer Box	Unpacked Product	Packed Product	Outer Box	Outer Box
WP22KIT/3	2G Skt with RCD Plug	16.9 x 17.8 x 8.7	21.5 x 24.7 x 9.7	26.1 x 41.8 x 49.8	1.10	1.23	12.86	0.05433