

NO WIRING REQUIRED  
ZERO ELECTRICITY COST

## SOLAR GUARDIAN SECURITY WALL LIGHT

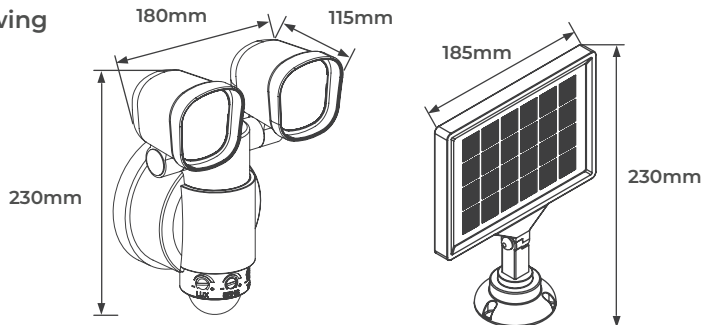
### Product Features

- Exterior security wall light with solar power technology
- Adjustable heads and separate solar panel to maximise charge time
- Product illuminates only when required with PIR/ photocell, 5 metre cable length
- Ideal for security purposes in residential applications with no mains power



CAT NO.	LUMINAIRE LUMENS
LEXT4B50S	400


### Product Drawing



CAT NO.	WEIGHT (kg)	WATTAGE	CRI	IK RATING	BATTERY TYPE	BATTERY CAPACITY	TEMP RANGE (°C)	AMBIENT TEMP RATED LIFE (°C)
LEXT4B50S	0.96	4	>80	IK04	Li-Ion 3.7V	2200mAh	0 - +25	25

STANDARD	DESCRIPTION
EN 60598-1	Luminaires – General requirements
EN 60598-2-1	Luminaires – Fixed general purpose
EN 61000-3-2	Electromagnetic compatibility (EMC) – Part 3-2: Limits - for harmonic current emissions
EN 61000-3-3	Limits - Limitation of voltage changes, voltage fluctuations and flicker in public low-voltage supply systems, for equipment with rated current ≤ 16 A per phase and not subject to conditional connection
EN 61547	Equipment for general lighting purposes – EMC immunity requirements
EN 55015	Limits and methods of measurement of radio disturbance characteristics of electrical lighting and similar equipment

**LUCECO**

 This luminaire contains built-in LED lamps.

**A++**  
**A+**  
**A**  
**B**  
**C**  
**D**  
**E**

} LED

The lamps cannot be changed in the luminaire.

874/2012 