

CLIMATE EXTRA Microwave



ASSEMBLY AND INSTALLATION **EN**

- Luminarie suitable for surface and suspension mounting
- Clip Locking Screws must be fitted after installation
- This product must be disconnected before insulation resistance testing of the lighting circuit

ZUSAMMENBAU und INSTALLATION **DE**

- Leuchte geeignet für Aufputzmontage und Aufhängung
- Vor der Isolationswiderstandsprüfung muss das Produkt von der Spannungsversorgung getrennt werden
- Die Edelstahlklammer-Befestigungsschrauben (M4), müssen nach der Installation befestigt werden



NOTICE D'ASSEMBLAGE ET DE MONTAGE **FR**

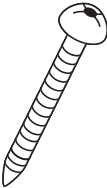

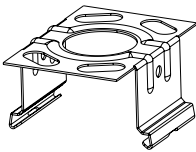
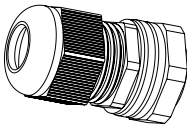
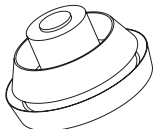
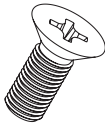
- Luminarie convient pour le montage en applique et en suspension.
- Les clips de fixation doivent être posés après l'installation
- Ce produit doit être déconnecté avant tout test de résistance du circuit d'éclairage

MONTAJE E INSTALACIÓN **ES**

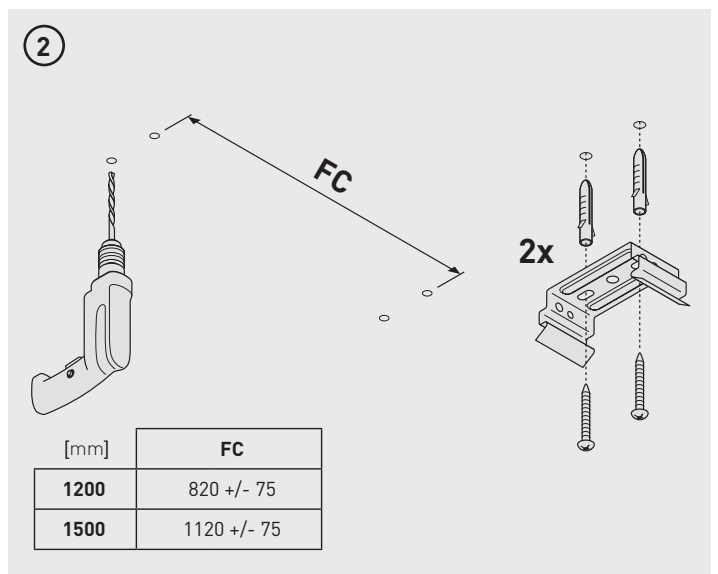
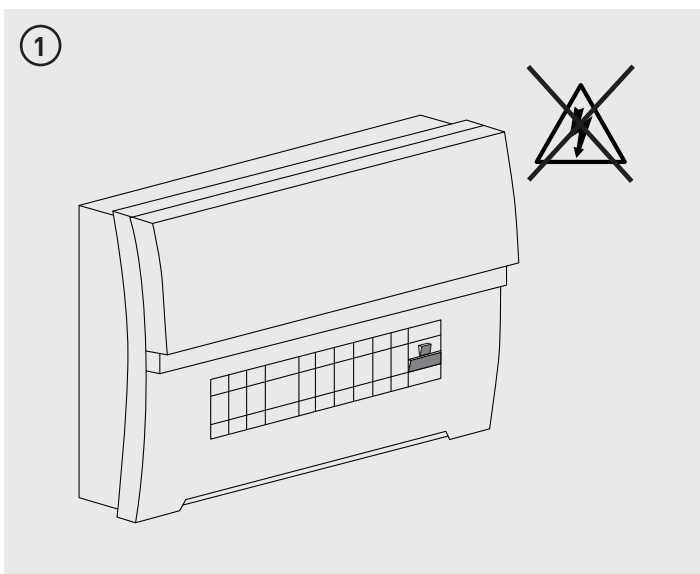
- Luminaria apta para montaje en superficie y suspensión
- Los tornillos de bloqueo de los Clips Antivandálicos deben asegurarse después de la instalación
- Este producto debe ser desconectado antes de ensayar, en el circuito eléctrico, la resistencia de aislamiento

MONTAGGIO E INSTALLAZIONE **IT**

- Apparecchio idoneo per il montaggio a superficie e a sospensione
- Le viti di bloccaggio delle clip devono essere montate dopo l'installazione
- Questo prodotto deve essere scollegato prima del test di resistenza di isolamento del circuito di illuminazione

Screw	Rawl Plug	Fixing Bracket	IP65 Gland	Rubber Stopper	Clip Locking Screw M4
					
4	4	2	1	1	4

*Note: Microwave Sensor versions are suitable for solid ceiling installation only, such as concrete.

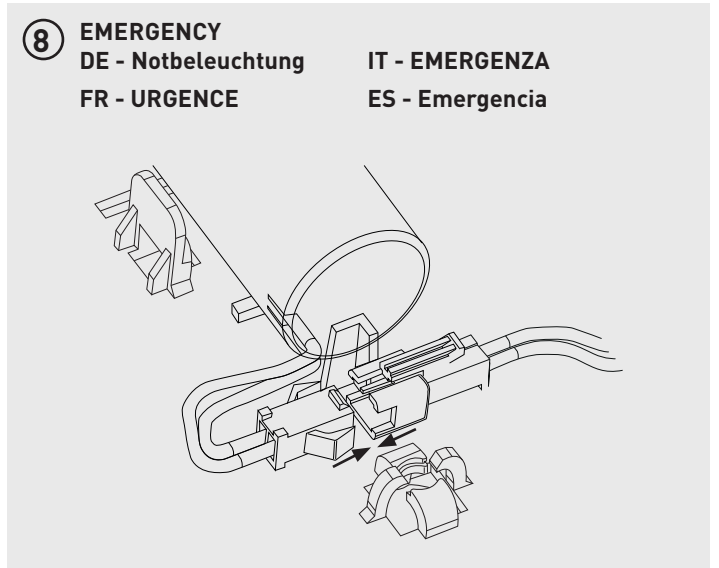
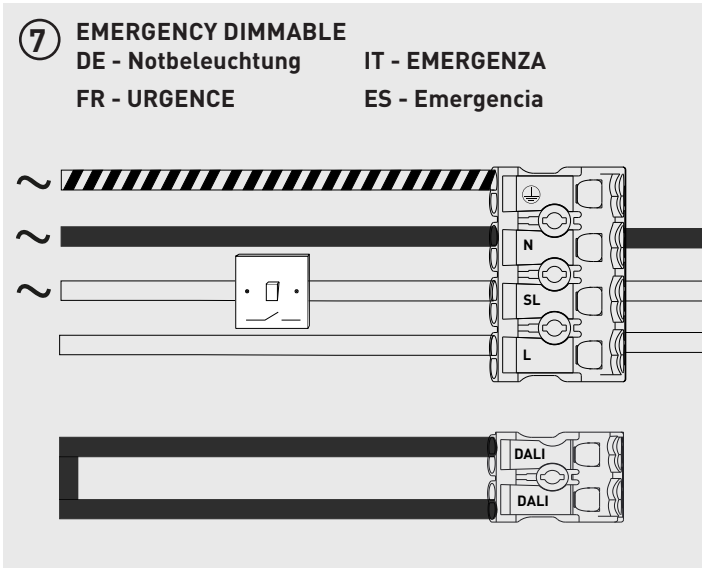
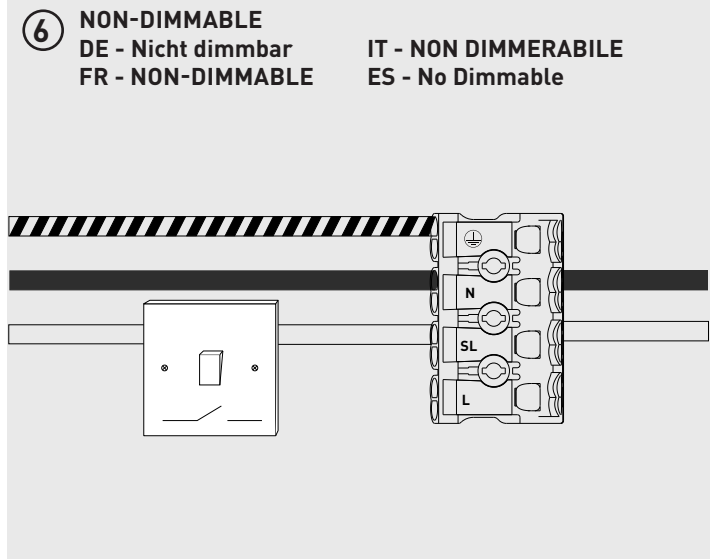
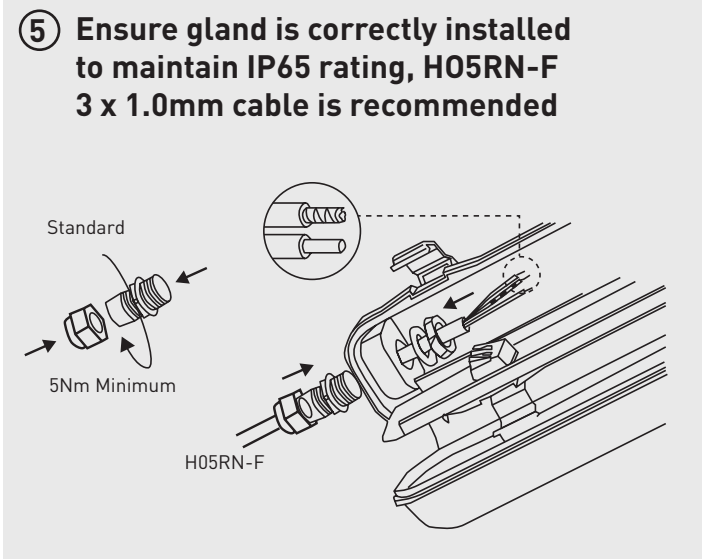
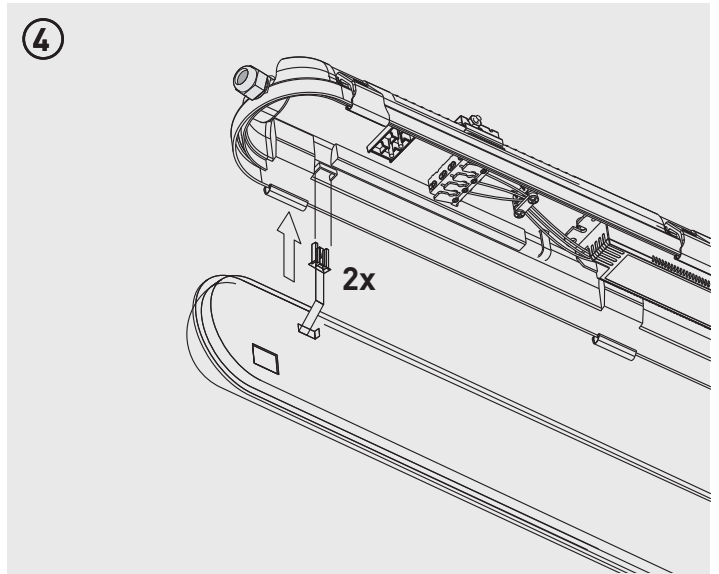
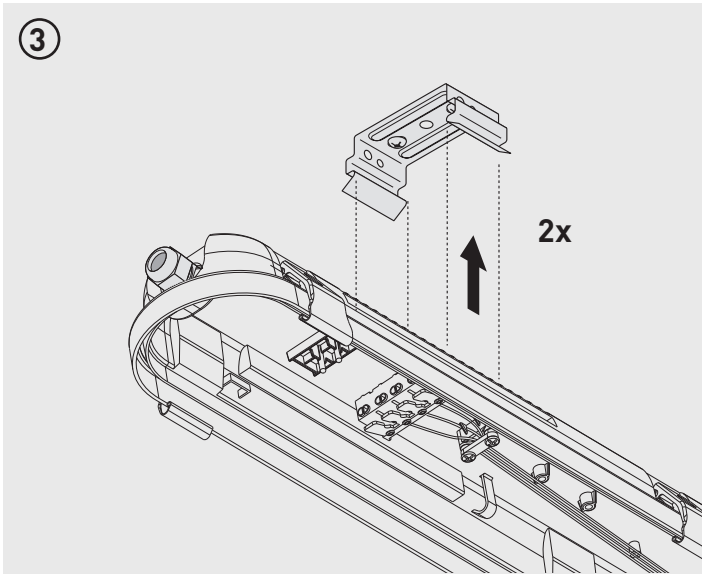


Tech Help Line
 UK - 0330 0249 279
 Non UK - +44 (0)1952 238 100
 Supplied by LUCECO
 Stafford Park 1, Telford, Shropshire,
 England, TF3 3BD

Visit our website at www.luceco.com

Servicio de asistencia telefónica
 UK - 0330 0249 279
 Non UK - +34 93 829 55 74
 (EU) Luceco SE
 C/ Bobinadora 1-5
 08302 Mataró Spain

Visite nuestra web en www.luceco.com



Tech Help Line

UK - 0330 0249 279

Non UK - +44 (0)1952 238 100

Supplied by LUCECO
 Stafford Park 1, Telford, Shropshire,
 England, TF3 3BD

Visit our website at www.luceco.com

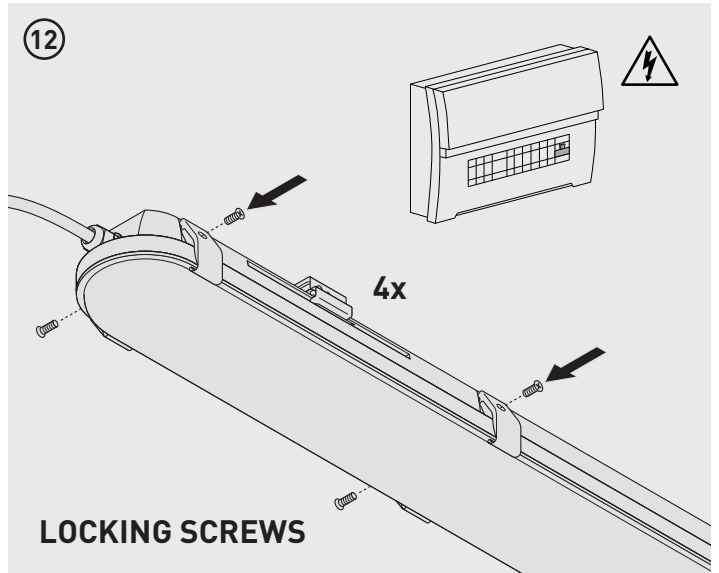
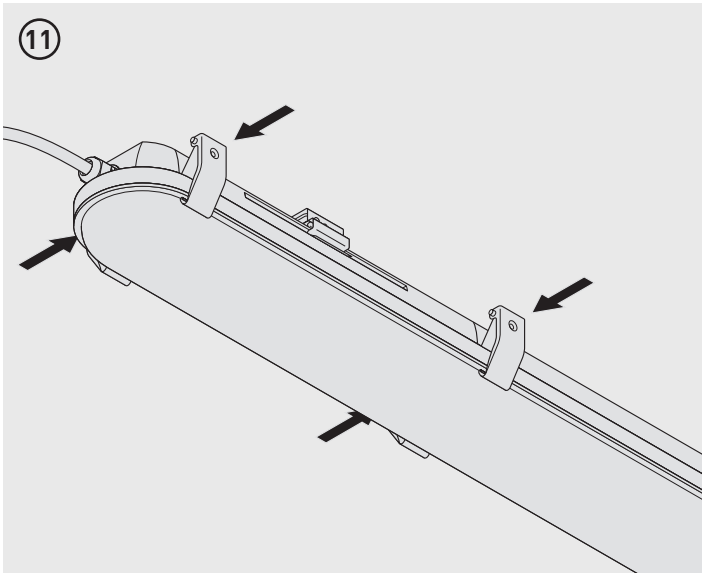
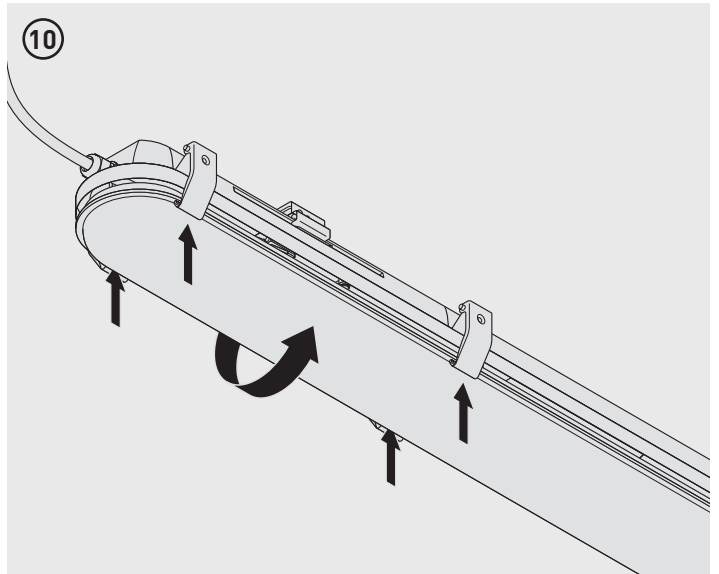
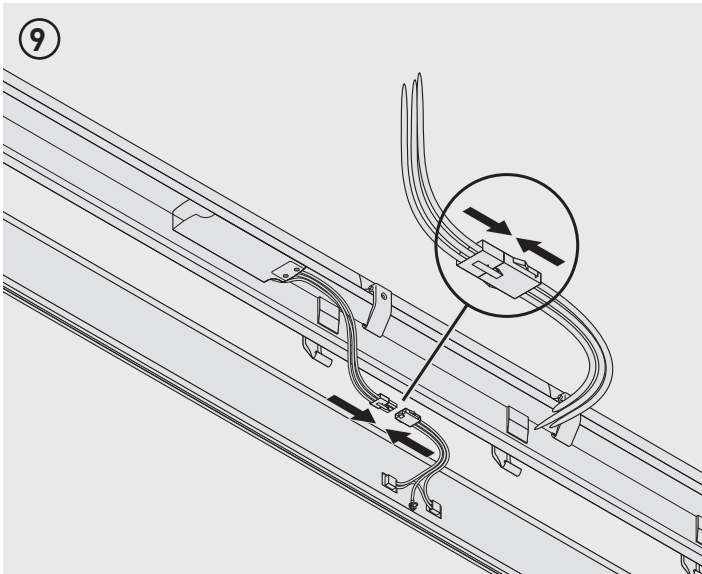
Servicio de asistencia telefónica

UK - 0330 0249 279

Non UK - +34 93 829 55 74

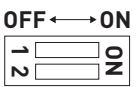
(EU) Luceco SE
 C/ Bobinadora 1-5
 08302 Mataró Spain

Visite nuestra web en www.luceco.com



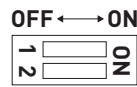
DIP SWITCH SETTINGS FOR OUTPUT SELECTION

LCL12023S40



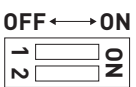
OUTPUT SELECTION			
		Pin1	Pin2
1900	0.20A	ON	ON
2300	0.25A	ON	OFF
2900	0.30A	OFF	ON
3300	0.35A	OFF	OFF

LCL12045S40



OUTPUT SELECTION			
		Pin1	Pin2
3200	0.20A	ON	ON
3800	0.25A	ON	OFF
4500	0.30A	OFF	ON
5300	0.35A	OFF	OFF

LCL15039S40



OUTPUT SELECTION			
		Pin1	Pin2
3300	0.20A	ON	ON
3900	0.25A	ON	OFF
4800	0.30A	OFF	ON
5600	0.35A	OFF	OFF

LCL15072S40



OUTPUT SELECTION			
		Pin1	Pin2
4900	0.20A	ON	ON
6000	0.25A	ON	OFF
7200	0.30A	OFF	ON
8000	0.35A	OFF	OFF

LCL15090S40



OUTPUT SELECTION			
		Pin1	Pin2
6500	0.20A	ON	ON
7900	0.25A	ON	OFF
9000	0.30A	OFF	ON
10200	0.35A	OFF	OFF

Tech Help Line

UK - 0330 0249 279
 Non UK - +44 (0)1952 238 100
 Supplied by LUCECO
 Stafford Park 1, Telford, Shropshire,
 England, TF3 3BD

Visit our website at www.luceco.com

Servicio de asistencia telefónica

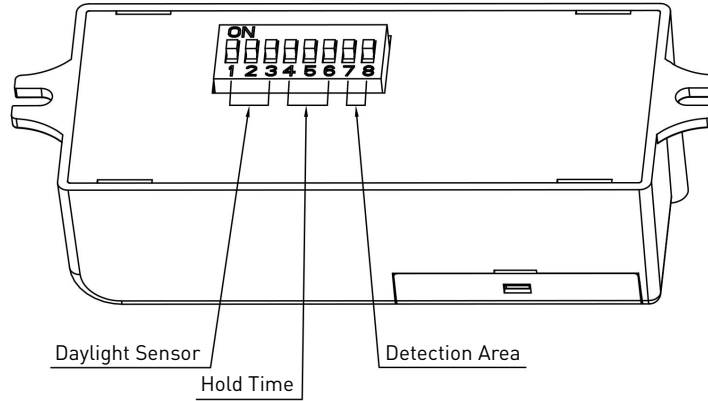
UK - 0330 0249 279
 Non UK - +34 93 829 55 74
 (EU) Luceco SE
 C/ Bobinadora 1-5
 08302 Mataró Spain

Visite nuestra web en www.luceco.com

MICROWAVE DIP SWITCH SETTINGS

Factory setting

Detection area: 100%, Hold Time: 5S, Daylight Sensor: Disable



Daylight Sensor				
	1	2	3	
I	ON	ON	ON	2 Lux
II	-	ON	ON	10 Lux
III	-	ON	-	30 Lux
IV	-	-	ON	50 Lux
V	-	-	-	Disable

Hold Time				
	4	5	6	
I	ON	ON	ON	5S
II	ON	ON	-	30S
III	ON	-	ON	90S
IV	ON	-	-	5min
V	-	ON	ON	20min
VI	-	-	-	30min

Detection Area			
	7	8	
I	ON	ON	100%
II	ON	-	75%
III	-	ON	50%
IV	-	-	25%

Tech Help Line

UK - **0330 0249 279**

Non UK - **+44 (0)1952 238 100**

Supplied by LUCECO
Stafford Park 1, Telford, Shropshire,
England, TF3 3BD

Visit our website at www.luceco.com

Servicio de asistencia telefónica

UK - **0330 0249 279**

Non UK - **+34 93 829 55 74**

(EU) Luceco SE
C/ Bobinadora 1-5
08302 Mataró Spain

Visite nuestra web en www.luceco.com