



# Technical Data

## Mains Optical Smoke Alarm

### Brief product description:

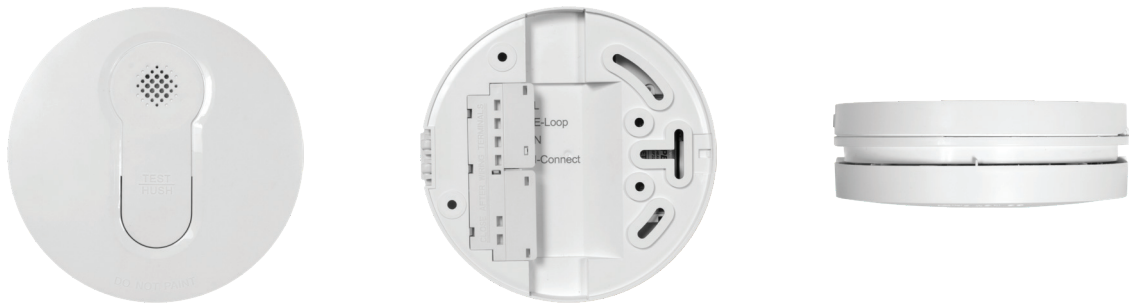
The BG mains powered optical smoke alarm is ideal for detecting smoke from smouldering fires whilst minimising false alarms.

This alarm can be interconnected with the wider range of BG interconnected alarms for complete coverage.

### Features:

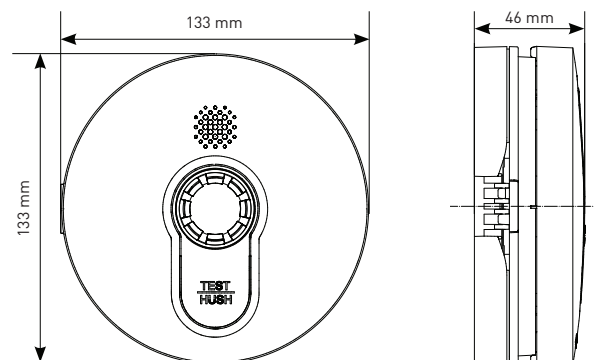
- Hardwired optical smoke alarm wires directly in to your home electric system
- Constant monitoring of the air for the presence of smoke
- Interconnecting: connect up to 24 heat and smoke alarms, or up to 12 alarms when including a CO alarm
- Dust cover (included) prevents contamination of the device during installation
- 9V battery back up ensures the alarm will operate if mains power is lost
- Hush function allows the alarm to be temporarily silenced
- Test function, fault and low battery warnings to assist with alarm maintenance

### Product Images



SDMOA

### Line Diagrams



### Safety Warning

All interconnected alarms must be on the same circuit.

A common Neutral must be used for the interconnection to function

**DO NOT** connect the interconnected wires to Live or Neutral

**DO NOT** connect these Alarms to any other model produced by another manufacturer. Doing so may damage the Alarms and could result in a shock or fire hazard

Wiring should be in accordance with the latest edition of the IET regulations (BS 7671)



# Mains Optical Smoke Alarm

## Technical Specifications

|                       |   |
|-----------------------|---|
| Standard(s)           | BS EN14604:2005/AC:2008   |
| Classification        | Class 2   |
| Mains Power           | 220-240V~50Hz, 60mA   |
| Battery Backup        | 9V DC   |
| Capacity              | 20-40m <sup>2</sup>   |
| Alarm Volume          | 85dB(A) at 3m   |
| Operating Temperature | 0°C to 40°C   |
| Ambient Humidity      | 5~95%   |
| Alarm Sensitivity     | 0.100-0.17 dB/m   |
| Sound Pattern         | ISO8201(BI 0.5s - pause 0.5s - BI 0.5s - pause 0.5s - BI 0.5s - pause 1.5s, with the RED LED flashing, repeat this alarm pattern) |
| Interconnecting       | Connect up to 24 heat and smoke alarms, or up to 12 alarms when including a CO alarm  |
| Mounting Position     | Ceiling (distance from side wall should be over 50cm)<br>Wall (min 10cm - max 30.5cm from ceiling)                                |
| Wiring                | Use a minimum of 1.5mm <sup>2</sup> 250V insulated wire for all wiring, including interconnecting wiring                          |
| Max Wiring Length     | 150m between first and last alarm   |
| Product Lifetime      | 10 Years  |
| RoHS Directive        | Yes   |
| WEEE Directive        | Yes   |



KM 762034

## Packaging Information

| Cat No. | Description               | Packaging Type |           |           | Pack Quantity |           |           | Barcode       |               |               |
|---------|---------------------------|----------------|-----------|-----------|---------------|-----------|-----------|---------------|---------------|---------------|
|         |                           | Product        | Inner Box | Outer Box | Each          | Inner Box | Outer Box | Individual    | Inner Box     | Outer Box     |
| SDMOA   | Mains Optical Smoke Alarm | Colour Box     | Carton    | Carton    | 1             | 6         | 48        | 5015056531885 | 5015056531939 | 5015056531984 |

## Weights & Dimensions

| Cat No. | Description               | Dimensions (H x W x D) cm |                   |             |                | Weight (kg)      |                |              |           | CBM (m <sup>3</sup> ) |
|---------|---------------------------|---------------------------|-------------------|-------------|----------------|------------------|----------------|--------------|-----------|-----------------------|
|         |                           | Unpacked Product          | Packed Product    | Inner Box   | Outer Box      | Unpacked Product | Packed Product | Inner Carton | Outer Box | Outer Box             |
| SDMOA   | Mains Optical Smoke Alarm | 13.3 x 13.3 x 4.6         | 14.5 x 5.5 x 14.5 | 30 x 8 x 16 | 62 x 38 x 34.5 | 0.275            | 0.327          | 2.30         | 20        | 0.08128               |