



# Wiring Accessories

## Weatherproof 13A Socket

- External Switched
- Large Housing with Adjustable Socket Position

For your safety, this product must be installed in accordance with local Building Regulations. **If in any doubt, or where required by the law, consult a competent person who is registered with an electrical self-certification scheme.** Further information is available online or from your Local Authority. Please read carefully and use in accordance with these safety wiring instructions. Before commencing any electrical work ensure the supply is switched off at the mains. Either by switching off the consumer unit or by removing the appropriate fuse or turning off MCB (trip). Wiring should be in accordance with the latest edition of the IET regulations (BS 7671).

To prevent fire hazard always use cable of the correct rating & type for the application.  
**Warning do not exceed the load rating of this device as stated on the rear of the product.**

Note - As from 1st April 2004 new colour codes for hard wire installations were introduced.

**EARTH** = Green/Yellow Sleaving

**NEUTRAL** = Black (pre Apr 04) / Blue (after Apr 04)

**LIVE** = Red (pre Apr 04) / Brown (after Apr 04)



If installed correctly BG Electrical Weatherproof products provide an IP66 level of protection, this means that the sealed construction provides a very high level of protection against the ingress of both water & dust. The cover will seal regular sized plugs, however the cover must be closed and secured when in use to provide the IP rating protection. Do not allow water to enter the socket with the cover open.

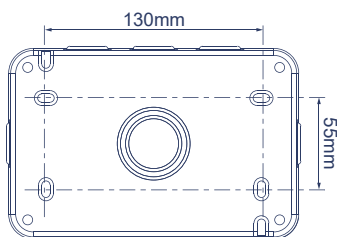
## Installation Instructions

**Before commencing work always isolate the power at the consumer unit/fuse box.**

- The unit should be mounted on a clean, rigid vertical surface suitable to accept screw type fixings. Surface should be reasonably flat as unevenness could cause product damage or affect operation.
- Remove Front assembly from Rear Box.
- For cable entry, decide if conduit is being used & entry positions.  
For side, top or rear entry the lowermost drain hole position **MUST** be drilled out using a 5mm drill. **ONLY ONE** drain hole position must be drilled.  
For bottom entry a drain hole **MUST NOT** be drilled in Rear Box, but a drain hole **MUST** be drilled at lowermost point of conduit run.  
For rear entry, drill/cut the appropriate size hole. For extra sealing protection, channels around knock-out and fixing holes are provided to accept a bead of sealant (not supplied) when fixing to mounting surface.

Note - The drilling of the drain hole or removing a knock-out will reduce the IP rating of the product.

- Mount the Rear Box using No.8 screws in all four, or at least two diagonal positions on fixing centres shown. The fixing holes are slotted to enable some rotation adjustment if required. Fit supplied Bungs over all used fixing screw positions to seal aperture recesses.



- Make cable entry into rear box as required. Only remove the blanking plugs for positions used. Ensure adequate excess lengths of cable for connection to the Socket. Install & seal all cable glands & conduit to Manufacturer's instructions.  
To install, remove the blanking plug from rear box, and fit gland or conduit. Ensure the gland or conduit and cable entry are sealed with a non-setting sealant.

- Offer up Front Assembly to Rear Box to determine final lengths of cables & cut to suit. Strip outer insulation as required & then trim insulation on individual wires 10-12mm to expose conductor ends.

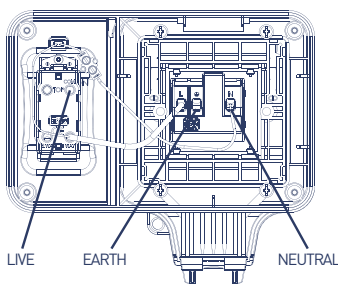
- Connect the wires to the correct rear terminals.  
**Connect LIVE wire to BROWN LIVE (L) terminal**  
**Connect NEUTRAL wire to BLUE NEUTRAL (N) terminal**  
**Connect EARTH wire to GREEN/YELLOW (E) terminal**

### NOTE

- The colours of the wires will be dependent on the type of cable used.
- It is possible to remove the socket from the Front Assembly to aid wiring by releasing the retaining screws on the rear.

### WP21ES - Switched Socket Wiring Diagram

Product supplied pre-wired as a switched socket - do not disconnect the switch from the socket and wire independently.



LIVE to "COM" on switch  
EARTH to "⊕" on socket  
NEUTRAL to "N" on socket (ensure power indicator connection remains in the terminal).

## Safety Instructions

**Please read carefully before installation.**

- An outdoor location should be chosen ensuring adequate access to a mains supply circuit. The circuit **MUST** be protected by an appropriate fuse, circuit breaker or RCD (Residual Current Device) in accordance with current IET wiring regulations.
- Where conduit is used for cable runs, water condensation **MUST** be prevented from collecting inside the unit & conduit. Drain holes **MUST** be drilled off (see Installation Instructions).
- If metal conduit is used, earth continuity across the conduit must be maintained using appropriate connections (not supplied). An earth terminal in the Rear Box is provided as required.
- Where outdoor cable runs occur, ensure cable recommended for outdoor installations is used. In general, rubber insulated cable & plastic M20 cable glands can be used. Alternatively standard flat PVC twin & earth mains cable inside 20mm plastic or metal conduit may be used. Where necessary, SWA (Steel Wire Armoured) cable with metal cable glands should be used.  
The outdoor use of unprotected flat PVC insulated cable is **NOT** recommended.

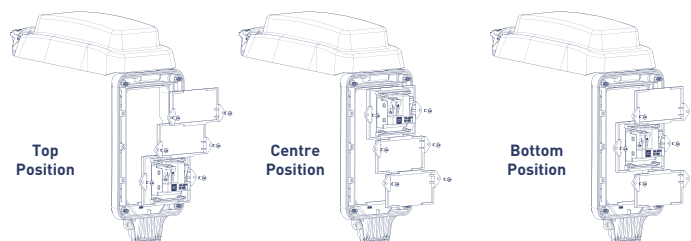
## Large Enclosure with Adjustable Socket

**This large enclosure is suitable for sealing RCD's and transformer type plugs in use where the socket position can be adapted to suit the plug type.**

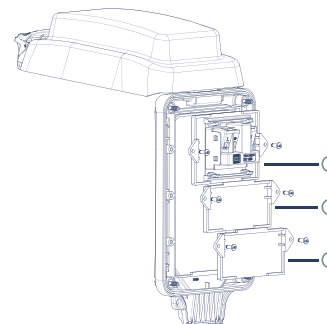
The following diagrams show the 3 arrangements for the socket position.

Select the socket position to suit the plug type of the connected appliance (socket assembly should be fitted into position before wiring).

- To relocate the socket assembly remove the mounting box to give access to the screws fixing the socket assembly and blanking mouldings.
- Remove the 4 screws that fix the blanking mouldings into the frame, the socket fixing screws can then be unscrewed and the socket repositioned as required.
- For all positions the socket assembly should be fitted before the blanking mouldings, removal is the reversal of this.



- Locate and fix the socket assembly into the required position using the 2 screws (a).
- Locate the blanking moulding ensuring that the tab is positioned into the recess in the socket plate (b).
- The remaining blanking moulding should be fixed in the same manner (c).



## Technical

Voltage : 240V ac  
Frequency : 50/60Hz  
Socket Rating : 13A  
Terminal Capacity : 3 x 2.5mm<sup>2</sup>, 3 x 4mm<sup>2</sup>, 2 x 6mm<sup>2</sup>  
IP Rating : IP66 (when cover securely closed)

## Batch Code Explanation

yyWxx Manufacturing date code, year of manufacture (yy) and week of manufacture (Wxx)

## Address/Helpline

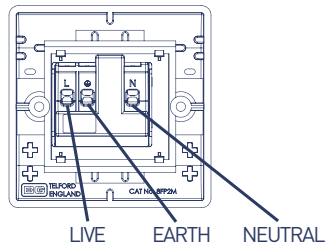
**Luceco PLC**  
Stafford Park 1  
Telford TF3 3BD  
ENGLAND

**(EU) Luceco SE**  
C/ Bobinadora 1-5  
08302 Mataró  
SPAIN

If you have further technical assistance you can get in touch with our

**Technical Helpline on:**  
**+44 (0)3300 249 279**  
**[technical.support@bgelectrical.co.uk](mailto:technical.support@bgelectrical.co.uk)**

## WP23L – Large Adjustable Socket Wiring Diagram



8. All earth connections **MUST** be made & continuity maintained. Note - the Socket has two linked earth terminals but only one needs to be used for this installation.

9. Where any earth conductor is a bare wire, it **MUST** be sleeved with green/yellow sleeving.

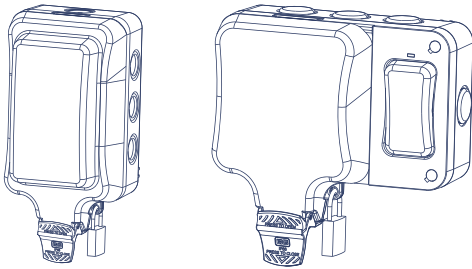
10. Ensure all terminal screws are tight & all wires are neatly routed & not unduly stretched or pinched.

11. After wiring socket, refit Front Assembly onto Rear Box using fixing screws - **DO NOT OVER TIGHTEN**.

12. Fit Screw Covers to complete installation.

13. Switch power back on, check Socket is working & ensure Cover & Catch operate correctly. The product is now ready to use.

14. For security to prevent unwanted tampering with Socket, a lug feature with a 6mm hole is provided to accept a padlock or similar locking security device (not supplied).



## Care

This BG Electrical Nexus Storm Weatherproof accessory is made from polycarbonate material that is durable with a high impact resistance. During the life of the product any cleaning should be carried out with a damp cloth using a mild detergent & warm water. **DO NOT USE** solvent based cleaners as these may cause damage.

## Environmental Protection



This symbol is known as the "Crossed-out Wheeled Bin Symbol". When this symbol is marked on a product or battery, it means that it should not be disposed of with your general household waste. Some chemicals contained within electrical/electronic products or batteries can be harmful to health and the environment. Only dispose of electrical/electronic/battery items in separate collection schemes, which cater for the recovery and recycling of materials contained within. Your co-operation is vital to ensure the success of these schemes and for the protection of the environment.