

TITAN Highbay Emergency

PART CODE: LHBT27B22E12040-01 / LHBT27B22E9040-01 / LHBT27B22E6040-01 / LHBT33B29E12040-01 / LHBT33B29E9040-01 / LHBT33B29E6040-01



This Luminaire contains a light source of Class <D>



ASSEMBLY AND INSTALLATION

EN

- Make sure the power cut-off before installation
- The lamps can be used in outdoor or indoor situation
- Voltage is AC 220-240V, Frequency is 50/60Hz
- Make sure the load-bearing of accessory can match the weight of lamp
- To make sure the lifespan of lamps, do not install the lamps around superheated steam and corrosive gases

ZUSAMMENBAU UND INSTALLATION

DE

- Unterbrechen Sie die Stromversorgung, bevor Sie mit der Montage beginnen
- Die Leuchte kann im Innen- und Außenbereich verwendet werden
- Für die Verwendung mit einer Netzspannung von 220-240V AC - 50/60Hz
- Stellen Sie sicher, dass die Belastbarkeit des verwendeten Monagematerials zum Gewicht der Leuchte passt
- Um sicherzustellen, dass die angegebene Lebensdauer erreicht wird, setzen Sie die Leuchte weder heißem Dampf noch ätzenden Gasen aus

MONTAGE ET INSTALLATION

FR

- Assurez-vous que le courant électrique soit coupé avant installation
- Le luminaire peut être utilisé en situation extérieure ou intérieure
- Voltage AC 220-240V, Fréquence 50/60Hz
- Assurez-vous que le support de l'accessoire peut correspondre au poids du luminaire
- Pour assurer la durée de vie du luminaire, ne pas installer le produit autour de vapeur surchauffée et de gaz corrosif

MONTAJE E INSTALACIÓN

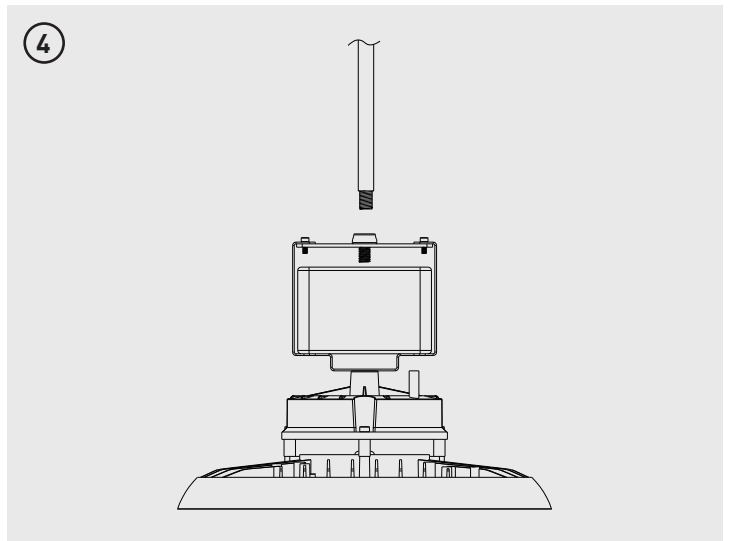
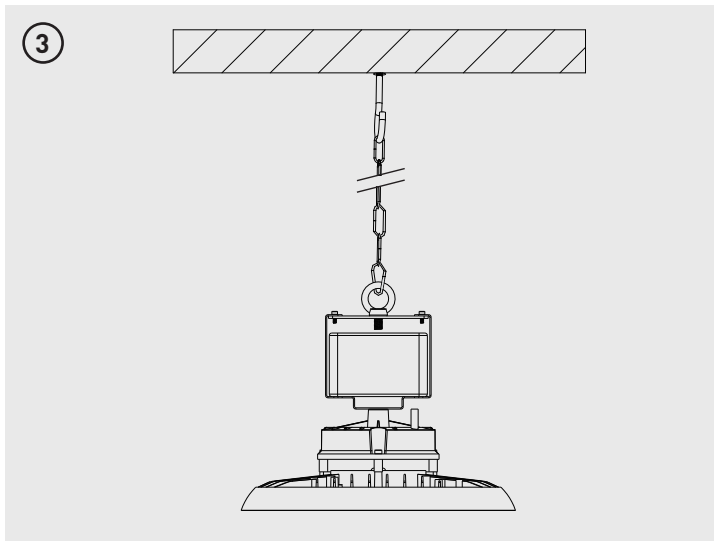
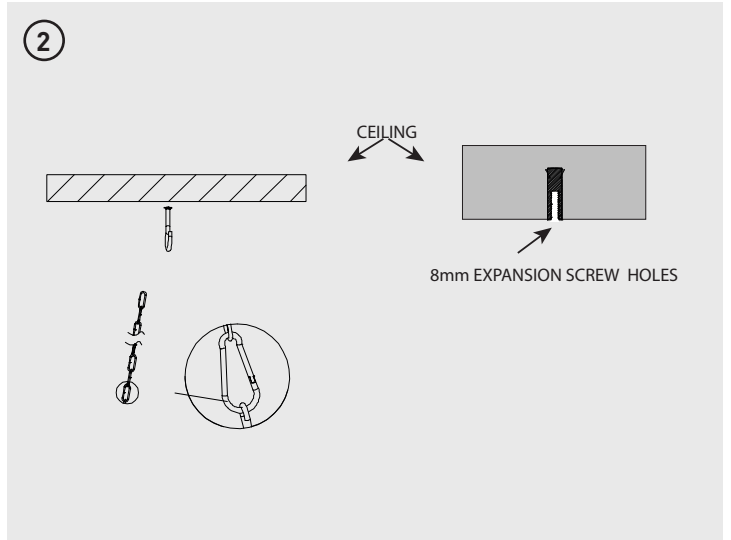
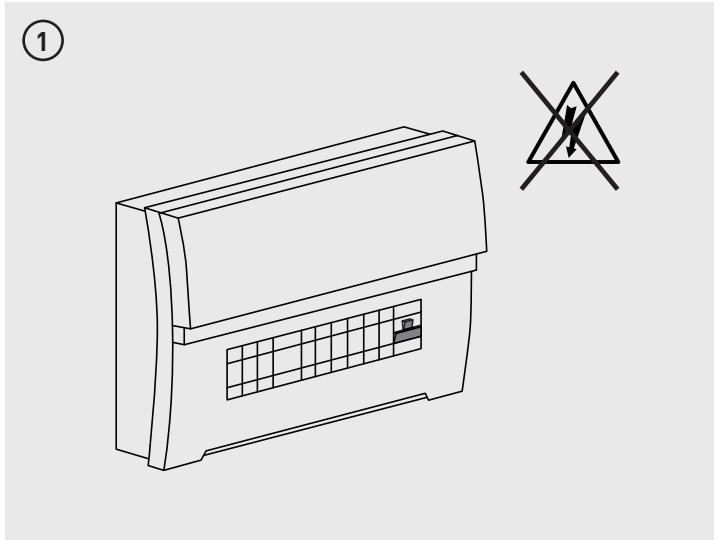
ES

- Asegúrese de cortar energía antes de la instalación
- Las lámparas se pueden utilizar en exteriores o en interiores
- El voltaje es AC 220-240V, la frecuencia es 50 / 60Hz
- Asegúrese de que el soporte de carga del accesorio puede igualar el peso de la lámpara
- Para garantizar la vida de la lámpara, no instale lámparas alrededor, o vapor sobrecalentado y gases corrosivos

MONTAGGIO E INSTALLAZIONE

IT

- Assicurarsi che l'alimentazione sia tagliata prima dell'installazione
- Le lampade possono essere utilizzate all'aperto o in interni
- La tensione è AC 220-240V, la frequenza è 50 / 60Hz
- Assicurarsi che la staffa di ricarica dell'accessorio possa corrispondere al peso della lampada
- Per garantire la durata della lampada, non installare le lampade in ambienti con vapore surriscaldato e gas corrosivi



Tech Help Line

UK - **0330 0249 279**
 Non UK - **+44 (0)1952 238 100**
 Supplied by LUCECO
 Stafford Park 1, Telford, Shropshire,
 England, TF3 3BD

Visit our website at www.luceco.com

Servicio de asistencia telefónica

UK - **0330 0249 279**
 Non UK - **+34 93 829 55 74**
 [EU] Luceco SE
 C/ Bobinadora 1-5
 08302 Mataró Spain

Visite nuestra web en www.luceco.com

LHBT Emergency Lighting

Titan Highbay Emergency

RECOMMENDED ROUTINE PROCEDURE

The following test is designed to ensure the continued protection of your premises and occupants. Because of the possibility of a failure of the normal lighting supply occurring shortly after a period of testing, all tests should, whenever possible, be undertaken at times of least risk, e.g. during daylight hours.

ONCE A DAY

Visual inspection of battery charge LED.

ONCE A MONTH

Each unit should be energized from its battery for about 30 seconds by simulation of a failure of the normal lighting supply to ensure the lamp operates in the emergency condition.

TWICE A YEAR

Each unit should be energized from it's battery for a continuous period of at least one hour.

AFTER THREE YEARS & EACH SUBSEQUENT YEAR

All units with specified durations in excess of 1 hour should be energized for their full rating period.

ROUTINE TEST RECORD

Month	Test	First Year		Second Year		Third Year		Fourth Year		Fifth Year	
		Signed	Date	Signed	Date	Signed	Date	Signed	Date	Signed	Date
1	Function										
2	Function										
3	Function										
4	Function										
5	Function										
6	Function										
7	Function										
8	Function										
9	Function										
10	Function										
11	Function										
12	Function										

Tech Help Line

UK - **0330 0249 279**
 Non UK - **+44 (0)1952 238 100**
 Supplied by LUCECO
 Stafford Park 1, Telford, Shropshire,
 England, TF3 3BD

Visit our website at www.luceco.com

Servicio de asistencia telefónica

UK - **0330 0249 279**
 Non UK - **+34 93 829 55 74**
 [EU] Luceco SE
 C/ Bobinadora 1-5
 08302 Mataró Spain

Visite nuestra web en www.luceco.com