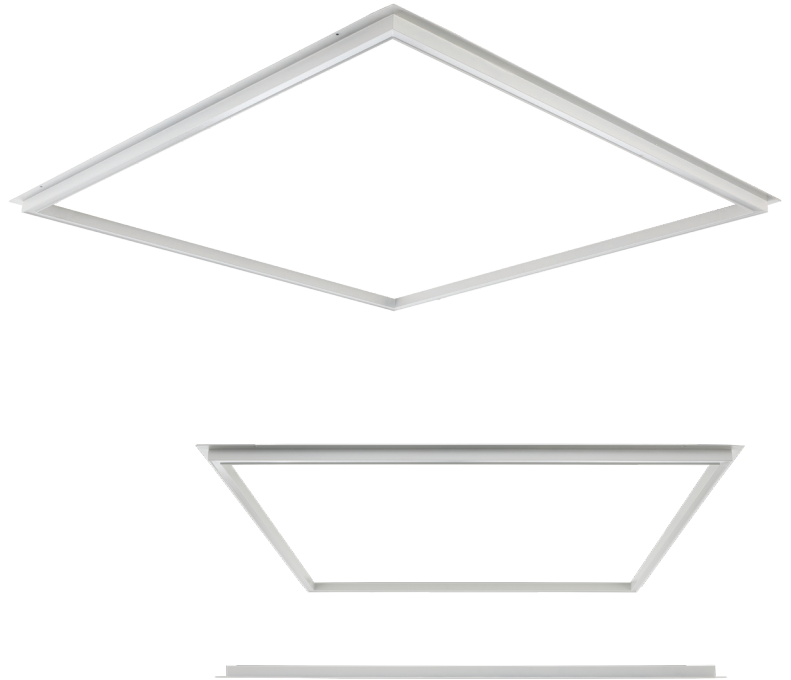


LUXFRAME PANEL 600x600

Product Features

- Extruded aluminium profile with microprism or opal diffuser
- Designed to deliver functional general lighting in an architectural interesting way for areas that welcome something different
- Semi recessed mounted in 15mm or 24mm exposed grid ceilings. Ceiling tile is placed back onto of fixture.



CAT NO.	DRIVER	LUMINAIRE LUMENS	WATTAGE	EFFICACY Lm/cW
LPSF66W20S40	Fixed Output	2000	22W	91
LPSF66W20D40	Digital Dimmable	2000	22W	91
LPSF66W28S40	Fixed Output	2800	31W	90
LPSF66W28D40	Digital Dimmable	2800	31W	90
LPSF66W35S40	Fixed Output	3500	41W	85
LPSF66W35D40	Digital Dimmable	3500	41W	85
LPSF66W42S40	Fixed Output	4200	50W	84
LPSF66W42D40	Digital Dimmable	4200	50W	84

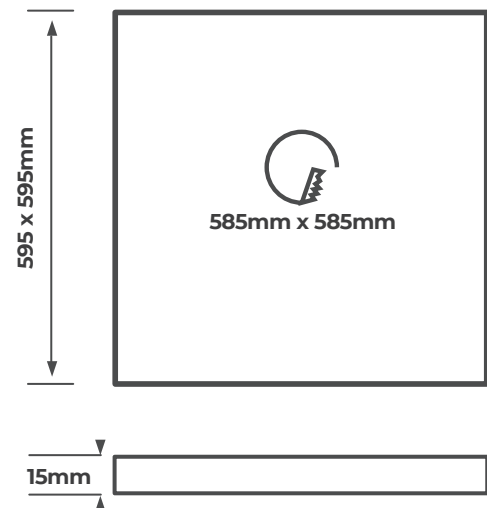
To Specify:

Architectural 600Sq semi-recessed luminaire with opal diffuser provides a frame of light under the ceiling tile

PRODUCT OPTIONS

Remote Emergency Pack	LED3EP80
Self Test Remote Emergency Pack	LED3EP80EST
DALI Addressable Emergency Pack	LED3EP80DED
Luceco Platform Wireless	Insert LPW, eg. LPSF66W28LPW40
Luceco Elevate Wireless	Insert EPW, eg. LPSF66EPW28

Product Drawing

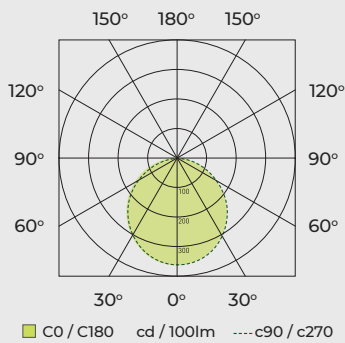


CAT NO.	WEIGHT (kg)	CRI	FREQUENCY (Hz)	SDCM	UGR	IK RATING	TEMP RANGE (°C)	AMBIENT TEMP RATED LIFE (°C)	L/B RATED LIFE
LPSF66W28S40	0.8	>80	50-60	<3	<29	IK04	-20 to +25	25	L70 / B10
LPSF66W35S40	0.8	>80	50-60	<3	<29	IK04	-20 to +25	25	L70 / B10

LPSF66W28S40 Luminaire Performance

Light Output Ratio: 100%
 Luminaire Efficacy: 90.32 lm/W
 Light Distribution: A40 ±100% ±0%
 CIE Flux Codes: 48 80 97 100 100
 UGR 4H 8H
 (20%, 50%, 70%) C0 / C90: 28.2 / 29.3

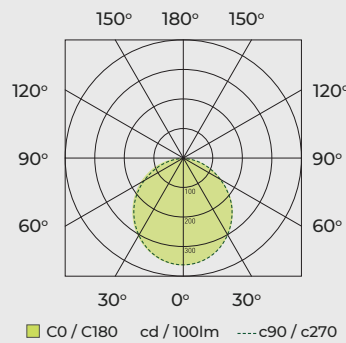
Luminous Intensity



LPSF66W35S40 Luminaire Performance

Light Output Ratio: 100%
 Luminaire Efficacy: 85.37 lm/W
 Light Distribution: A40 ±100% ±0%
 CIE Flux Codes: 48 80 97 100 100
 UGR 4H 8H
 (20%, 50%, 70%) C0 / C90: 29.8 / 30.1

Luminous Intensity



STANDARD	DESCRIPTION
EN 60598-1	Luminaires – General requirements
EN 60598-2-2	Luminaires – Recessed
EN 60598-2-22	Luminaires – Emergency
EN 61000-3-2	Electromagnetic compatibility (EMC) – Part 3-2: Limits - for harmonic current emissions
EN 61000-3-3	Limits - Limitation of voltage changes, voltage fluctuations and flicker in public low-voltage supply systems, for equipment with rated current ≤ 16 A per phase and not subject to conditional connection
EN 61547	Equipment for general lighting purposes – EMC immunity requirements
EN 55015	Limits and methods of measurement of radio disturbance characteristics of electrical lighting and similar equipment

