

TEMPUS EMERGENCY BULKHEAD

Product Features

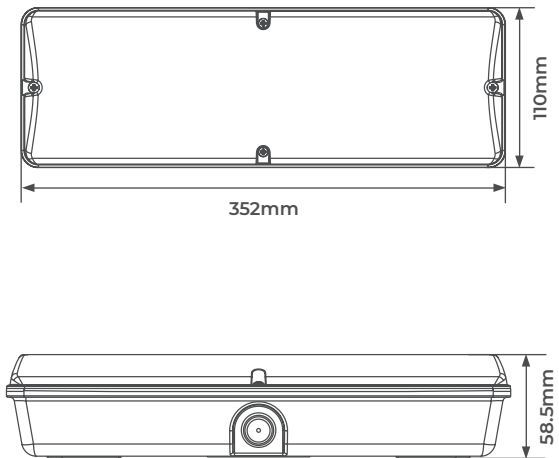
- Surface mount maintained emergency bulkhead for internal or external use
- Two screw diffuser design with rear and side cable entry points
- Can be wired for non-maintained use
- Supplied with self-adhesive legend kit and weatherproof cable gland



CAT NO.	TYPE	LUMINAIRE LUMENS	WATTAGE
LEMBKM3	Maintained	140	3W
LEMBKEST	Self-Test	140	3W
LEMBKEDA	DALI	140	3W

	HEIGHT	AXIAL DISTANCE FROM WALL	AXIAL SPACING	TRANSVERSE SPACING	TRANSVERSE SPACING FROM WALL
	2.5	2	8	8	2
OPEN AREA	3	2	9	9	2
- 0.5 LUX	4	2	10	10	2
ESCAPE ROUTE	2.5	-	-	8	2
- 1 LUX	3	-	-	8.2	2
(Based on 2m width)	4	-	-	8.4	2

Product Drawing



CAT NO.	WEIGHT (kg)	CRI	FREQUENCY (Hz)	IK RATING	BATTERY TYPE	BATTERY CAPACITY	TEMP RANGE (°C)	AMBIENT TEMP RATED LIFE (°C)
LEMBKM3	0.5	>80	50-60	IK08	Ni-Cd 3.6V	800mAh	0 – 45°C	25°C

STANDARD	DESCRIPTION
60598-1	Luminaires – General requirements
60598-2-22	Luminaires – Emergency
61000-3-2	Electromagnetic compatibility (EMC) – Part 3-2: Limits – for harmonic current emissions
61000-3-3	Lamp control gear – Part 1: General and safety requirements
61547	Equipment for general lighting purposes – EMC immunity requirements
55015	Limits and methods of measurement of radio disturbance characteristics of electrical lighting and similar equipment

