

LEMDEBM3 Emergency Lighting

Tempus Exit Blade



NOTE - To comply with regulations, installation must be carried out by qualified electrician and in accordance with the current IEE Wiring Regulations (BS7671) and Building Regulations



ENSURE ELECTRICAL SUPPLY IS DISCONNECTED/ ISOLATED BEFORE COMMENCING INSTALLATION

SPECIFICATIONS

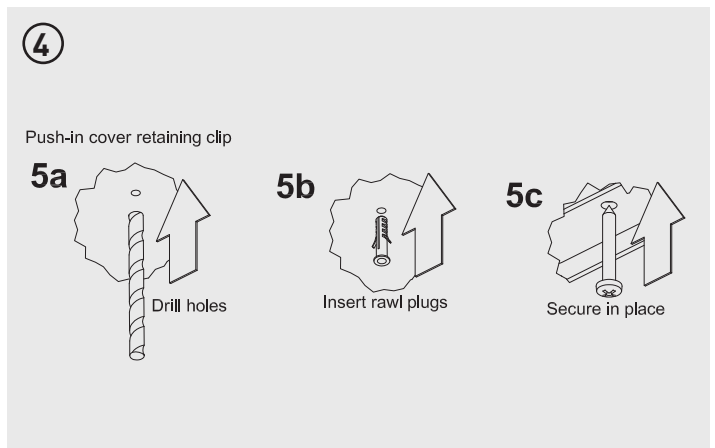
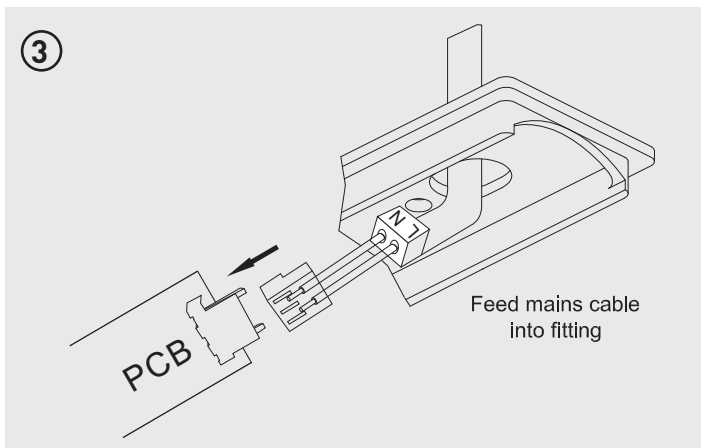
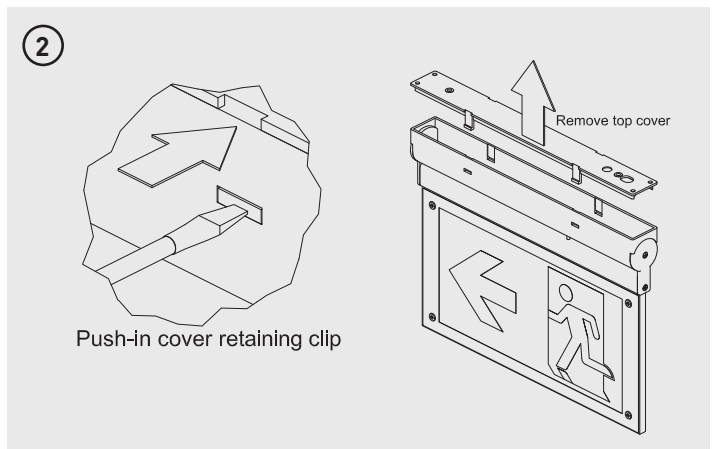
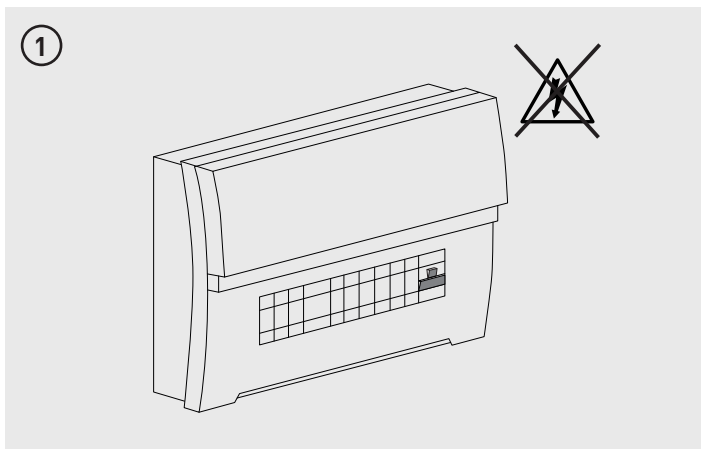
- **Input Voltage:** AC220-240V 50/60Hz
- **Emergency Duration:** >3 Hours
- **Recharge Time:** 24 Hours
- **Operating Environmental:** 0°C - 40°C Temperature
- **Battery:** 3.6V 900mAh Ni-Cd battery

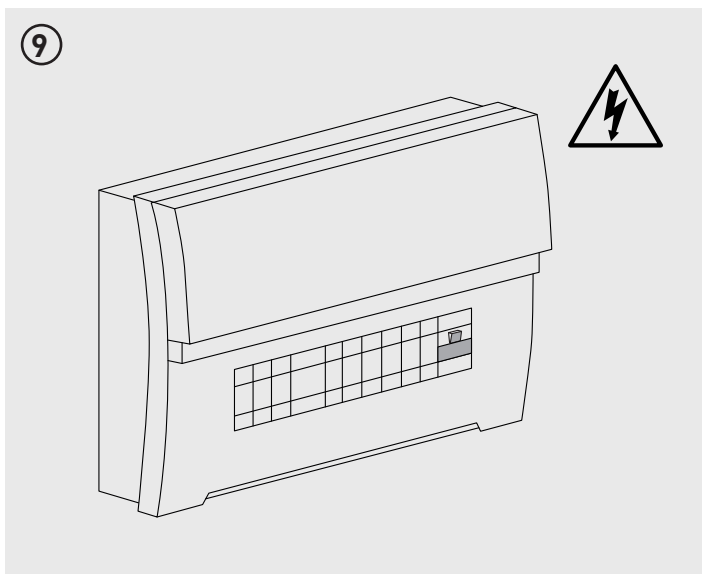
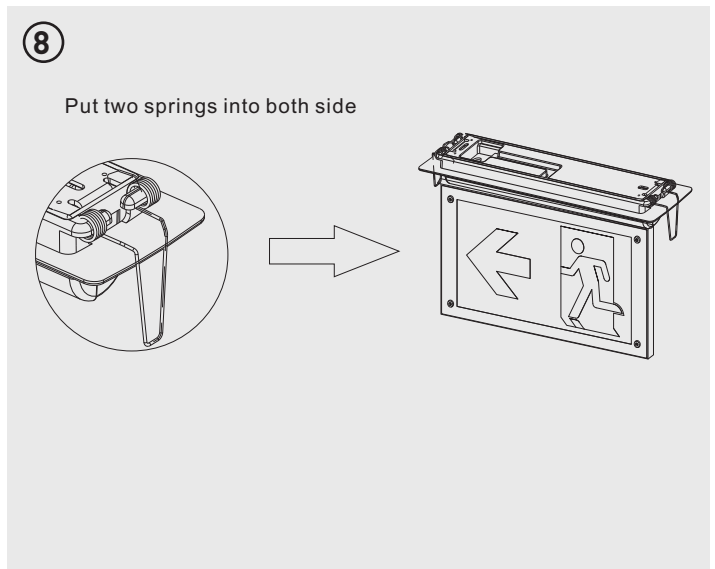
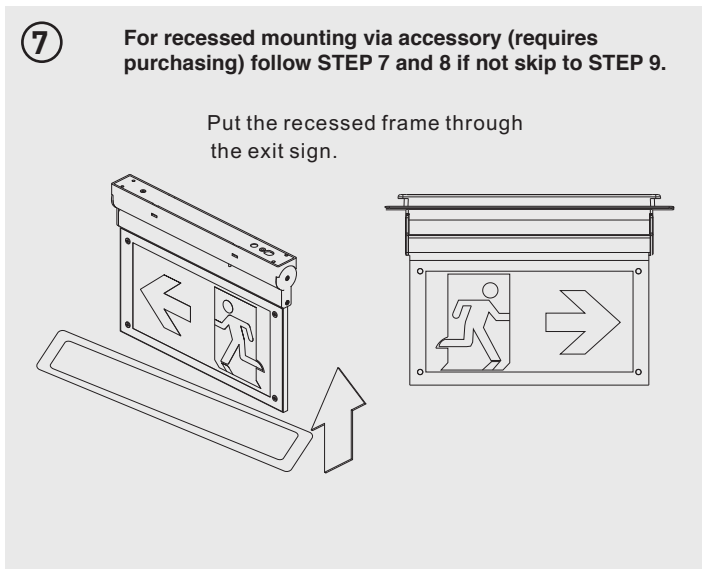
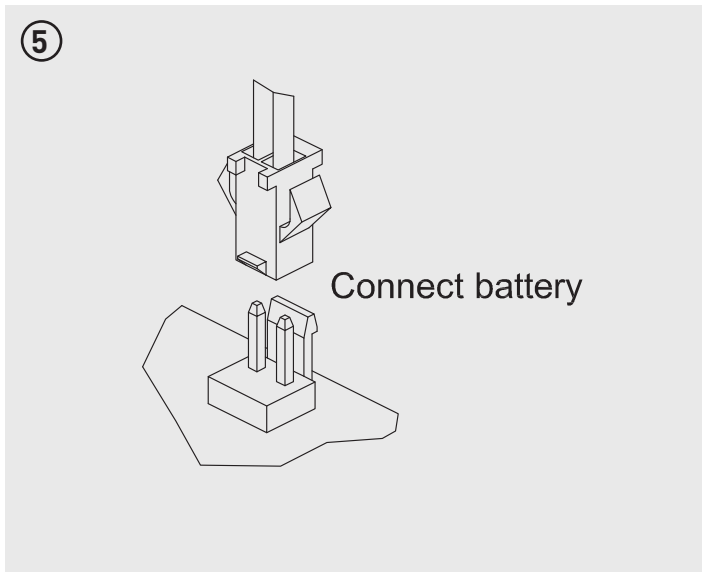
FUNCTIONS OF LED INDICATOR

- Failure/Charging Indicator

OPERATION

The luminaire should be connected to the mains supply for a minimum of 24 hours before operating in emergency mode as the batteries need to be fully charged before they will provide their full rated duration.





Tempus Exit Blade

RECOMMENDED ROUTINE PROCEDURE

The following test is designed to ensure the continued protection of your premises and occupants. Because of the possibility of a failure of the normal lighting supply occurring shortly after a period of testing, all tests should, whenever possible, be undertaken at times of least risk, e.g. during daylight hours.

ONCE A DAY

Visual inspection of battery charge LED.

ONCE A MONTH

Each unit should be energized from its battery for about 30 seconds by simulation of a failure of the normal lighting supply to ensure the lamp operates in the emergency condition.

TWICE A YEAR

Each unit should be energized from its battery for a continuous period of at least one hour.

AFTER THREE YEARS & EACH SUBSEQUENT YEAR

All units with specified durations in excess of 1 hour should be energized for their full rating period.

ROUTINE TEST RECORD

Month	Test	First Year		Second Year		Third Year		Fourth Year		Fifth Year	
		Signed	Date	Signed	Date	Signed	Date	Signed	Date	Signed	Date
1	Function										
2	Function										
3	Function										
4	Function										
5	Function										
6	Function										
7	Function										
8	Function										
9	Function										
10	Function										
11	Function										
12	Function										