

TEMPUS EXTRA EMERGENCY BULKHEAD



Product Features

- High output surface mounted bulkhead, polycarbonate construction IP65 with clear clear fresnel lens
- 3Hr Maintained operation delivering 800Lumens designed specifically for higher ceiling heights or highrisk areas where increased lux levels are required
- Wall or ceiling mounted as standard, recess accessory available



CAT NO.	TYPE	LUMINAIRE LUMENS	WATTAGE
LEMHBHNM3	Non-Maintained	800	5W
LEMHBHND4	Self Test or DALI	800	5W

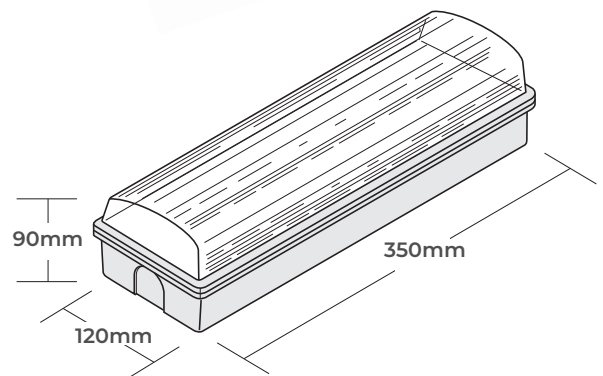
Product Accessories

CAT NO.	DESCRIPTION
LEMHBHRBEZ	Semi Recessing Bezel Kit
LEMHBHLEG	Self Adhesive Legend Kit

Spacing Table

Mounting height Hm (m)	Trans. to wall	Trans. to trans.	Axial to trans.	Axial to axial	Axial to wall	
2.5	5.0	11.4	10.1	9.5	4.1	1 Lux min. at centre
4.0	7.9	16.6	14.9	15.1	5.9	
8.0	10.6	20.1	18.6	19.9	8.8	
10.0	8.8	19.5	18.1	18.4	6.6	
12.0	7.3	15.8	14.6	14.7	5.4	
2.5	5.7	12.2	11.0	10.7	4.4	0.5 Lux min. (open)
4.0	8.0	17.0	15.8	17.5	6.5	
8.0	11.0	22.4	22.1	21.9	9.0	
10.0	9.2	23.0	22.6	22.3	7.1	
12.0	7.6	23.9	23.4	22.9	5.7	

Product Drawing




CAT NO.	WEIGHT (kg)	CRI	FREQUENCY (Hz)	IK RATING	BATTERY TYPE	BATTERY CAPACITY	TEMP RANGE (°C)	AMBIENT TEMP RATED LIFE (°C)
LEMHBHNM3	1.4	>80	50-60	IK04	Ni-Cd 7.2V	3000mAh	0 - +30	25

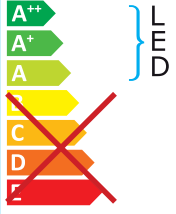
STANDARD	DESCRIPTION
60598-1	Luminaires – General requirements
60598-2-22	Luminaires – Emergency
61000-3-2	Electromagnetic compatibility (EMC) - Part 3-2: Limits – for harmonic current emissions
61000-3-3	Lamp controlgear – Part 1: General and safety requirements
61547	Equipment for general lighting purposes – EMC immunity requirements
55015	Limits and methods of measurement of radio disturbance characteristics of electrical lighting and similar equipment



LUCECO



This luminaire contains built-in LED lamps.



The lamps cannot be changed in the luminaire.

874/2012
