

USB RECHARGEABLE MINI TILT TORCH

Product Features

- Multi fixing - 180 degree tilting magnetic base
- Durable hard wearing housing
- 2 working light modes
- Supplied with USB charging cable



CAT NO.	LUMINAIRE LUMENS	CHARGING TIME
LILT15T65	150	2 Hours

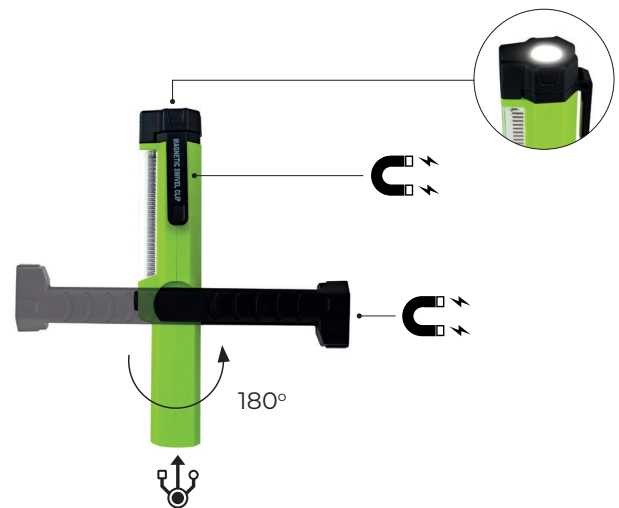
CAT NO.	WEIGHT (kg)	WATTAGE	CRI	IK RATING	BATTERY TYPE	BATTERY CAPACITY	TEMP RANGE (°C)	AMBIENT TEMP RATED LIFE (°C)
LILT15T65	0.1	1.5W	>80	IK05	3.7V Li-Ion	800mAh	0 to +25	25

Product Drawing



178mm

28mm



STANDARD	DESCRIPTION
60598-1	Luminaires – General requirements
60598-2-4	Luminaires – Portable
61000-3-2	Electromagnetic compatibility (EMC) - Part 3-2: Limits – for harmonic current emissions
61000-3-3	Lamp controlgear – Part 1: General and safety requirements
61547	Equipment for general lighting purposes – EMC immunity requirements
55015	Limits and methods of measurement of radio disturbance characteristics of electrical lighting and similar equipment

