

## FOLDABLE COMPACT WORKLIGHT WITH 13A POWER SOCKET

### Product Features

- LED work Light with foldable stand and cable storage
- Material: aluminium body & plastic frame
- Beam angle: 120°
- IP54 with UK socket
- Separate On/Off socket and light switch
- With 1.5m H05RN-F 3G1.5mm<sup>2</sup> cable and plug
- Warranty: 2 years



CAT NO.	LUMINAIRE LUMENS	WATTAGE
EFLDS30B50UK	2400lm	30W

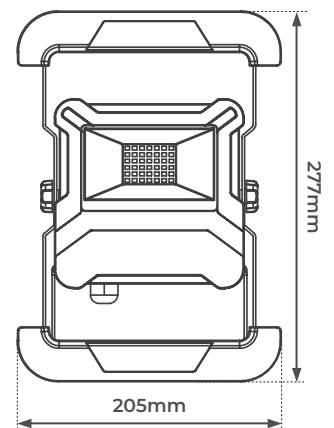
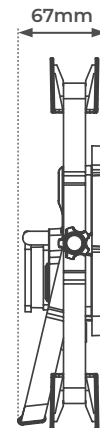


High efficiency LED chips

IP54 rated socket - IP20 when socket in use



13A rated socket



CAT NO.	WEIGHT (kg)	WATTAGE	LUMINAIRE LUMENS (lm)	COLOUR TEMP.	CRI	BEAM ANGLE	IK RATING	IP RATING	LIFESPAN (hrs)
EFLDS30B50UK	1.3	30W	2400	5000	≥80	110°	IK05	IP54	25,000

STANDARD	DESCRIPTION
60598-1	Luminaires – General requirements
60598-2-4	Luminaires – Portable general purpose luminaires
61000-3-2	Electromagnetic compatibility (EMC) – Part 3-2: Limits – for harmonic current emissions
61000-3-3	Lamp controlgear – Part 1: General and safety requirements
61547	Equipment for general lighting purposes – EMC immunity requirements
55015	Limits and methods of measurement of radio disturbance characteristics of electrical lighting and similar equipment

