

LED Trackspots Circular & Square



NOTE – To comply with regulations, installation must be carried out by suitably qualified competent person and in accordance with the current IEE Wiring Regulations (BS7671) and Building Regulations. A copy of the instructions must be left for the user/maintenance engineer for future reference.

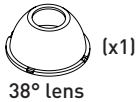
For non-UK, please refer/consult local requirements

**ENSURE ELECTRICAL SUPPLY IS DISCONNECTED/
ISOLATED BEFORE COMMENCING INSTALLATION**



ASSEMBLY AND INSTALLATION

ACCESSORIES:



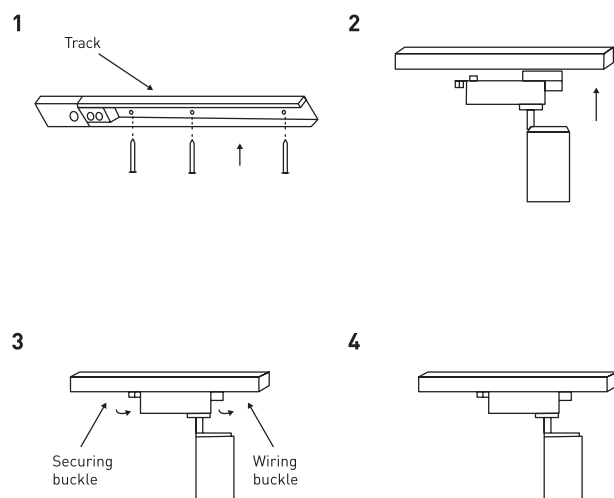
Part code	Track Adapter	Wattage	Supply	Current
LTCW20S40-01	3 Phase	25W	220-240V~ 50/60Hz	700mA
LTCW28S40-01	3 Phase	35W	220-240V~ 50/60Hz	900mA
LTSW20S40-01	3 Phase	24W	220-240V~ 50/60Hz	550mA
LTSW28S40-01	3 Phase	34W	220-240V~ 50/60Hz	800mA

NOTE – Trackspots only fit in one direction on track, align the groove to locate

- Trackspot is compatible with Luceco 3 circuit track other manufacturers track may not be compatible
- This product is only suitable for indoor use
- This product must be disconnected before insulation resistance testing of the lighting circuit

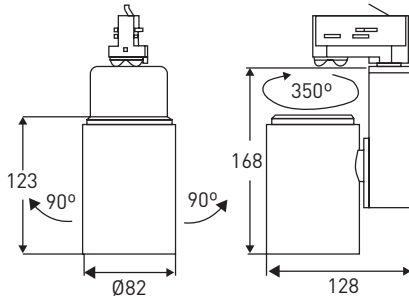
INSTRUCTIONS FOR NEW INSTALLATIONS

1. Fix the track securely to the ceiling and connect the electrical supply cable, observing the correct polarity
2. The driver is included inside the trackspot, offer the trackspot up between the track. To lock in place turn the lever to the on position
3. Once secured the correct phase can be selected by turning the phase selection buckle
4. Once installed restore the power and test operation

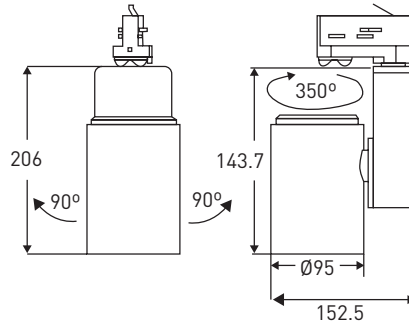


Trackspot Circular

LTCW20S40-01



LTCW28S40-01

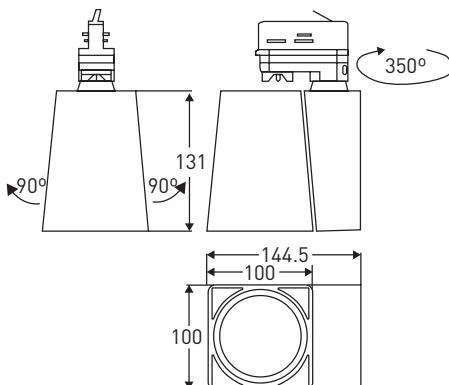


REPLACING LENS

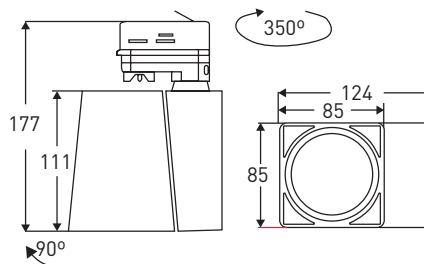
- To replace lens rotate inner collar of the spotlight anti-clockwise
- Remove/replace lens and reassemble

Trackspot Square

LTSW20S40-01



LTSW28S40-01



REPLACING LENS

- To replace lens remove the front cover of the spotlight
- Remove/replace lens and reassemble

United Kingdom Warranty

For other territories and for further information, please see www.luceco.com for details

Products are protected by guarantee for a period of 3 year warranty, from date of purchase against defects in material and workmanship (unless otherwise stated). Should a product fail to perform as described within the warranty period it will be repaired or replaced with the same or equivalent product by Luceco, free of charge provided that you: (1) return the product to us with shipping charge prepaid, (2) provide us with proof of the original date of purchase and (3) quote our return authorization number.

Repaired or replaced products will be returned to you with shipping charges prepaid. Replacement products may be refurbished or contain refurbished materials. If in our sole discretion, we are unable to repair or replace a defective product, we will refund the purchase price of the product.

This warranty will not apply if in our judgment, the product fails due to damage in shipment, handling, storage, accident, abuse or misuse, or if it has been used in a manner not conforming to our product instructions, has been modified in any way, or has any serial number removed or defaced. Repair or attempted repair will void this warranty. Our maximum liability under the terms of this warranty is limited to the purchase price of the product covered by the warranty.

The warranty is given under English Law. If any part of this warranty is deemed unenforceable (including any provision in which we exclude our liability to you) the enforceability of any other parts of the warranty will not be affected. These terms do not reduce your statutory rights.

For Non-UK please contact Local Luceco Office for details. THESE TERMS AND CONDITIONS ARE SUBJECT TO CHANGE WITHOUT PRIOR NOTICE.

Eventually, you may want to replace this fitting;

Environmental Protection W.E.E.E (Wheelie Bin Symbol for EU ONLY)

This symbol is known as the "crossed-out" wheelie Bin Symbol". When this symbol is marked on a product or battery, It means that it should not be disposed of with your general household waste. Some chemicals contained within electrical/electronic products or batteries can be harmful to health and the environment.

Only dispose of electrical/electronic/battery items in separate collection schemes, which cater for the recovery and recycling of materials contained within.

Your co-operation is vital to ensure the success of these schemes and for the protection of the environment.

Tech Help Line

UK - **0330 0249 279**

Non UK - **+44 (0)1952 238 100**

Supplied by LUCECO

Stafford Park 1, Telford,
Shropshire, England, TF3 3BD

Visit our website at

www.luceco.com