

CASTRA

LFSX-05



TECHNICAL SPEC:

Non-Replacable Light Source

The light source contained in this luminaire is not replacable, at the end of life the luminaire shall be destroyed



| Part N0 | Wattage | Useful Lumens | Luminaire Lumens | Suggested Mounting Height | Suggesed Halogen equivalent | Weight | Dims (mm) | Max Projected Area |
|-----------|---------|---------------|------------------|---------------------------|-----------------------------|---------|------------|---------------------|
| LFS10x130 | 10W | 970 | 1050 | 2.5-3.0M | 100W | 0.32kg | 119x94x95 | 0.014m ² |
| LFS10x150 | 10W | 1050 | 1200 | 2.5-3.0M | 100W | 0.32kg | 119x94x95 | 0.014m ² |
| LFS20x130 | 20W | 1930 | 2200 | 2.5-4.0M | 200W | 0.385kg | 131x110x95 | 0.017m ² |
| LFS20x150 | 20W | 2100 | 2400 | 2.5-4.0M | 200W | 0.385kg | 131x110x95 | 0.017m ² |
| LFS30x130 | 30W | 2650 | 3000 | 3.0-5.0M | 300W | 0.45kg | 148x121x95 | 0.022m ² |
| LFS30x150 | 30W | 2750 | 3150 | 3.0-5.0M | 300W | 0.45kg | 148x121x95 | 0.022m ² |
| LFS50x130 | 50W | 4500 | 5400 | 4.0-6.0M | 500W | 0.68kg | 185x151x95 | 0.045m ² |
| LFS50x150 | 50W | 4600 | 5400 | 4.0-6.0M | 500W | 0.68kg | 185x151x95 | 0.045m ² |

x: Stand for the colour of the product. It could be B/W.

This product range is designed for domestic outdoor use. Not suitable for interior use. If outdoor connection is required, use a suitably IP rated junction box and terminals. Glands used must be suitable for H05RN-F cable as supplied with the luminaire. The Floodlight is pre-wired with 1.0M of H05RN-F 3*1.0mm² cable, The external flexible cord or cable of this luminaire cannot be replaced; if the cord is damaged, the luminaire shall be destroyed.

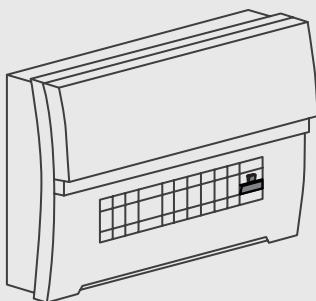
NOTE - To comply with regulations, installation must be carried out by suitably qualified competent person and in accordance with the current IEE Wiring Regulations (BS7611) and Building Regulations. A copy of the instructions must be left for the user/ maintenance engineer for the future reference.

For non-UK, please refer/consult local requirements

ENSURE ELECTRICAL SUPPLY IS DISCONNECTED/ ISOLATED BEFORE COMMENCING INSTALLATION



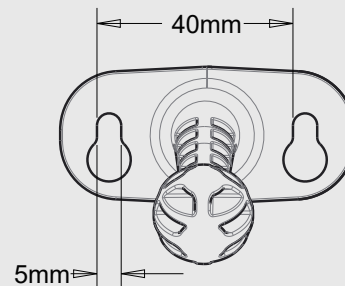
①



②

Turn OFF power supply, ensure all required equipment and tools are present

- Power Drill
- Applicable screws and fixings



Tech Help Line

UK - 0330 0249 279

Non UK - +44 (0)1952 238 100

Supplied by LUCECO

Stafford Park 1, Telford, Shropshire, England, TF3 3BD

Kontakt

UK - 0330 0249 279

Non UK - +49 40 89066 878 - 29

Geliefert von Luceco GmbH

Holstenplatz 20b, 22765 Hamburg DEUTSCHLAND

Support Technique

UK - 0330 0249 279

Non UK - +33 (0)1 61 10 10 35

Notice fournie par

Luceco SAS France & Belux 3

Rue de Courtalin, Magny Le Hongre 77700 FRANCE & BELUX

Servicio de asistencia telefónica

UK - 0330 0249 279

Non UK - +34 93 829 55 74

(EU) Luceco SE

C/Bobinadora 1-5 08302 Mataró Barcelona, Spain

Assistenza tecnica telefonica

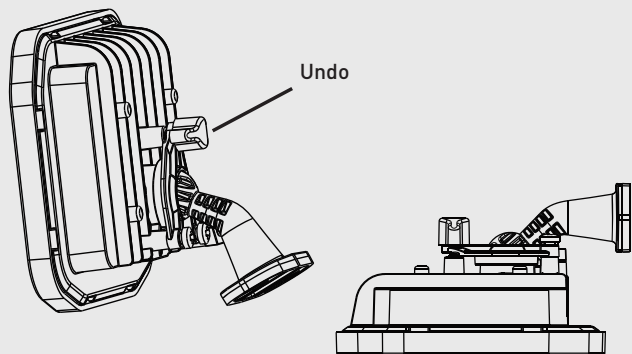
UK - 0330 0249 279

Non UK - +39 0434 1696795

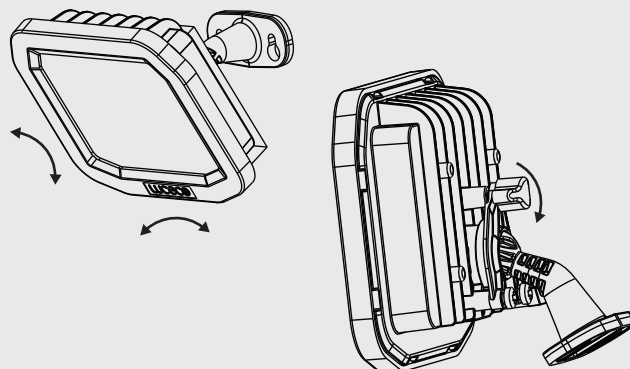
Fornito da BG Electrical Ltd Nexus

Italia, Via Amman 10 33170 Pordenone, Italy

- 3** With a suitable mounting position identified, loosen main fixing bolt on the rear of the housing and tilt to allow access to fixing holes.



- 4** Fit floodlight to the wall using suitable fixings. Tilt and rotate floodlight to desired angle and securing fixing bolt. Ensure product is secure.



- 5** Connect the pre-wired cable to the electrical supply, observing the correct polarity.



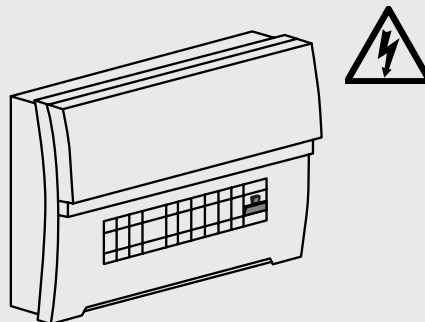
Note - Cables must be grounded

LIVE = BROWN

NEUTRAL = BLUE

EARTH = YELLOW/GREEN

- 6** When connections are safe. re-istate power.



United Kingdom Warranty

For other territories and for further information, please see www.luceco.uk for details

Products are protected by warranty for a period of 3 years from date of purchase against defects in material and workmanship (unless otherwise stated). Should a product fail to perform as described within the warranty period it will be repaired or replaced with the same or equivalent product by Luceco, free of charge provided that you: (1) return the product to us with shipping charge prepaid, (2) provide us with proof of the original date of purchase and (3) quote our return authorization number.

Repaired or replaced products will be returned to you with shipping charges prepaid. Replacement products may be refurbished or contain refurbished materials. In our sole discretion, we are unable to repair or replace a defective product, we will refund the purchase price of the product.

This warranty will not apply if in our judgment, the product fails due to damage in shipment, handling, storage, accident, abuse or misuse, or if it has been used in a manner not conforming to our product instructions, has been modified in any way, or has any serial number removed or defaced. Repair or attempted repair will void this warranty. Our maximum liability under the terms of this warranty is limited to the purchase price of the product covered by the warranty.

The warranty is given under English Law. If any part of this warranty is deemed unenforceable (including any provision in which we exclude our liability to you) the enforceability of any other parts of the warranty will not be affected. These terms do not reduce your statutory rights.

For Non-UK please contact Local Luceco Office for details. THESE TERMS AND CONDITIONS ARE SUBJECT TO CHANGE WITHOUT PRIOR NOTICE.

Eventually, you may want to replace this fitting;

Environmental Protection W.E.E.E (Wheelie Bin Symbol for EU ONLY)

This symbol is known as the "crossed-out" wheelie Bin Symbol". When this symbol is marked on a product or battery, It means that it should not be disposed of with your general household waste. Some chemicals contained within electrical/electronic products or batteries can be harmful to health and the environment. Only dispose of electrical/electronic/battery items in separate collection schemes, which cater for the recovery and recycling of materials contained within. Your co-operation is vital to ensure the success of these schemes and for the protection of the environment.



Tech Help Line

UK - 0330 0249 279

Non UK - +44 (0)1952 238 100

Supplied by LUCECO

Stafford Park 1, Telford, Shropshire,
England, TF3 3BD

Kontakt

UK - 0330 0249 279

Non UK - +49 40 89066 878 - 29

Geliefert von Luceco GmbH

Holstenplatz 20b,
22765 Hamburg DEUTSCHLAND

Support Technique

UK - 0330 0249 279

Non UK - +33 (0)1 61 10 10 35

Notice fournie par

Luceco SAS France & Belux 3
Rue de Courtalin, Magny Le Hongre 77700
FRANCE & BELUX

Servicio de asistencia telefónica

UK - 0330 0249 279

Non UK - +34 93 829 55 74

(EU) Luceco SE

C/Bobinadora 1-5 08302 Mataró
Barcelona, Spain

Assistenza tecnica telefonica

UK - 0330 0249 279

Non UK - +39 0434 1696795

Fornito da BG Electrical Ltd Nexus

Italia, Via Amman 10 33170
Pordenone, Italy