

CASTRA PIR

LFSPX-05



CRI
>80

IP65
RATED

3 year
standard
WARRANTY

TECHNICAL SPEC:

Non-Replacable Light Source

The light source contained in this luminaire is not replacable, at the end of life the luminaire shall be destroyed



Part N0	Wattage	Useful Lumens	Luminaire Lumens	Suggested Mounting Height	Suggesed Halo-gen equivalent	Weight	Dims (mm)	Max Projected Area
LFSP10x130	10W	970	1050	2.5-3.0M	100W	0.365kg	119x145x138	0.02m ²
LFSP10x150	10W	1050	1200	2.5-3.0M	100W	0.365kg	119x145x138	0.02m ²
LFSP20x130	20W	1930	2200	2.5-4.0M	200W	0.43kg	131x161x138	0.025m ²
LFSP20x150	20W	2100	2400	2.5-4.0M	200W	0.43kg	131x161x138	0.025m ²
LFSP30x130	30W	2650	3000	3.0-5.0M	300W	0.505kg	148x172x138	0.031m ²
LFSP30x150	30W	2750	3150	3.0-5.0M	300W	0.505kg	148x172x138	0.031m ²
LFSP50x130	50W	4500	5400	4.0-6.0M	500W	0.703kg	185x202x138	0.033m ²
LFSP50x150	50W	4600	5400	4.0-6.0M	500W	0.703kg	185x202x138	0.033m ²

x: Stand for the colour of the product. It could be B/W.

This product range is designed for domestic outdoor use. Not suitable for interior use. If outdoor connection is required, use a suitably IP rated junction box and terminals. Glands used must be suitable for H05RN-F cable as supplied with the luminaire. The Floodlight is pre-wired with 1.0M of H05RN-F 3*1.0mm² cable, The external flexible cord or cable of this luminaire cannot be replaced; if the cord is damaged, the luminaire shall be destroyed.

NOTE - To comply with regulations, installation must be carried out by suitably qualified competent person and in accordance with the current IEE Wiring Regulations (BS761) and Building Regulations. A copy of the instructions must be left for the user/maintenance engineer for the future reference.

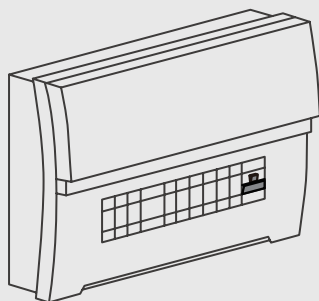
For non-UK, please refer/consult local requirements

ENSURE ELECTRICAL SUPPLY IS DISCONNECTED/
ISOLATED BEFORE CIMMERCING INSTALLATION



NOTE - During the first 48 hours of operation, the PIR may cause the LED floodlight to operate as it self adjusts to the ambient light level of the installation.

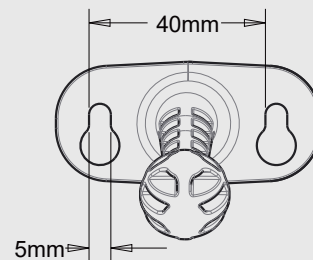
①



②

Turn OFF power supply, ensure all required equipment and tools are present. For optimal detection, avoid placing near sources of heat e.g. extractor vents

- Power Drill
- Applicable screws and fixings



Tech Help Line

UK - 0330 0249 279

Non UK - +44 (0)1952 238 100

Supplied by LUCECO

Stafford Park 1, Telford, Shropshire,
England, TF3 3BD

Kontakt

UK - 0330 0249 279

Non UK - +49 40 89066 878 - 29

Deliefert von Luceco GmbH

Holstenplatz 20b,
22765 Hamburg DEUTSCHLAND

Support Technique

UK - 0330 0249 279

Non UK - +33 (0)1 61 10 10 35

Notice fournie par

Luceco SAS France & Belux 3
Rue de Courtalin, Magny Le Hongre 77700
FRANCE & BELUX

Servicio de asistencia telefónica

UK - 0330 0249 279

Non UK - +34 93 829 55 74

(EU) Luceco SE

C/Bohinadora 1-5 08302 Mataró
Barcelona, Spain

Assistenza tecnica telefonica

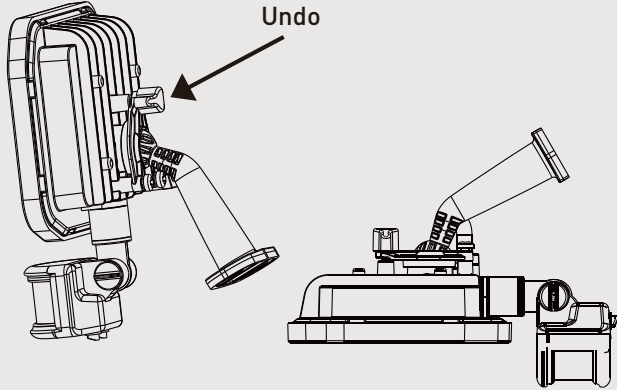
UK - 0330 0249 279

Non UK - +39 0434 1696795

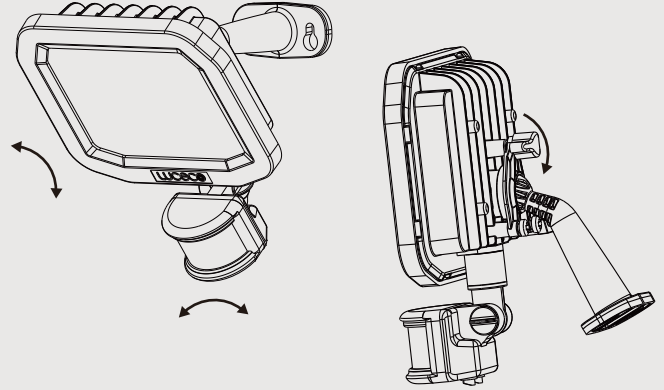
Fornito da BG Electrical Ltd Nexus

Italia, Via Amman 10 33170
Pordenone, Italy

- ③ With a suitable mounting position identified, loosen main fixing bolt on the rear of the housing and tilt to allow access to fixing holes.



- ④ Fit floodlight to the wall using suitable fixings. Tilt and rotate floodlight to desired angle and securing fixing bolt. Ensure product is secure.



- ⑤ Connect the pre-wired cable to the electrical supply, observing the correct polarity.



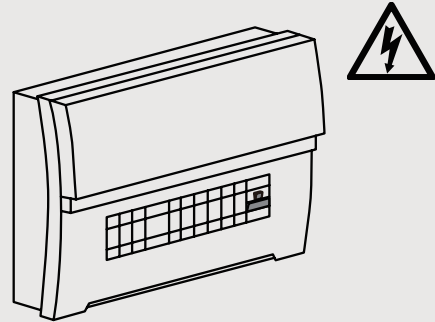
Note - Cables must be grounded

LIVE = BROWN

NEUTRAL = BLUE

EARTH = YELLOW/GREEN

- ⑥ When connections are safe. re-isntate power.



PIR

The PIR Sensor can be aimed to cover the desired detection area, and has a maximum range of up to 10 Meters over a 120° degree area. Detection range is controlled by the angle of the PIR, For Maximum Range, point PIR directly horizontal. to reduce range, tilt the PIR towards the ground.

PIR Settings allow the following adjustments:

- Time ON = from 10 seconds (+/- 5 seconds) to 8 minutes (+/- 2 minutes), turn the control clockwise to increase duration the floodlight will illuminate for when movement is detected
- Ambient Light = 2 Lux to 2000Lux, ambient light controls when the PIR will detect movement. Turn Anti-Clockwise to increase level of ambient light for when the PIR will detect movement. 2000Lux is typical daylight, 2 lux is near complete darkness. For Typical Dusk light levels, we suggest around 50% setting.

Dusk Till Dawn Mode:

The PIR features an internal photocell, that can detect light levels to come on and stay on all night until set lux level is reached. Ideal for all night illumination.

The turn on/off light level is set by the lux dial.

To initiate Dusk till Dawn Mode. turn the power supply OFF/ON/OFF/ON within 2 seconds

To turn Dusk till Dawn Mode OFF, turn the power off for a minimum of 5 seconds, this will reset back to full automatic PIR detection of the installation.

Tech Help Line

UK - 0330 0249 279

Non UK - +44 (0)1952 238 100

Supplied by LUCECO

Stafford Park 1, Telford, Shropshire,
England, TF3 3BD

Kontakt

UK - 0330 0249 279

Non UK - +49 40 89066 878 - 29

Geliefert von Luceco GmbH

Holstenplatz 20b,
22765 Hamburg DEUTSCHLAND

Support Technique

UK - 0330 0249 279

Non UK - +33 (0)1 61 10 10 35

Notice fournie par

Luceco SAS France & Belux 3
Rue de Courtalain, Magny Le Hongre 77700
FRANCE & BELUX

Servicio de asistencia telefonica

UK - 0330 0249 279

Non UK - +34 93 829 55 74

(EU) Luceco SE

C/Bohinadora 1-5 08302 Mataró
Barcelona, Spain

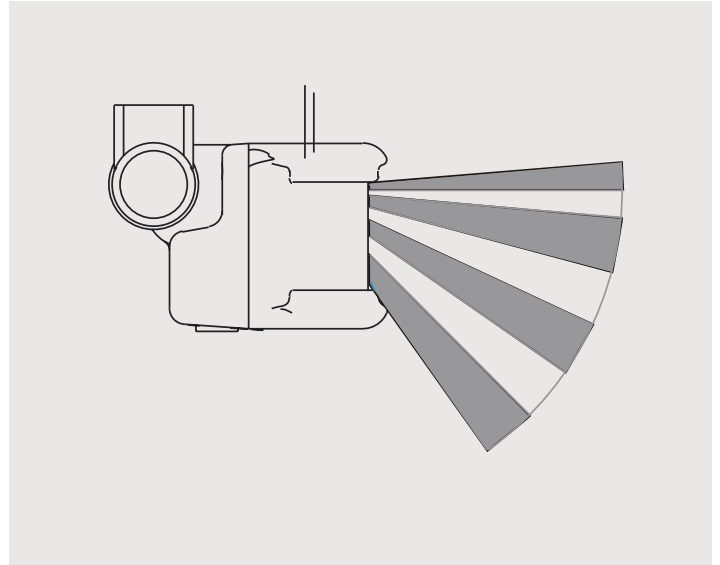
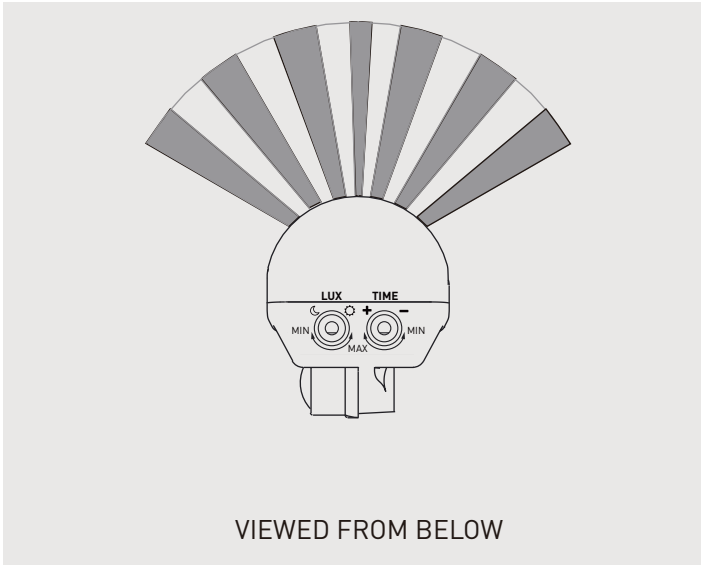
Assistenza tecnica telefonica

UK - 0330 0249 279

Non UK - +39 0434 1696795

Fornito da BG Electrical Ltd Nexus

Italia, Via Amman 10 33170
Pordenone, Italy



United Kingdom Warranty

For other territories and for further information, please see www.luceco.uk for details

Products are protected by warranty for a period of 3 years from date of purchase against defects in material and workmanship (unless otherwise stated). Should a product fail to perform as described within the warranty period it will be repaired or replaced with the same or equivalent product by Luceco, free of charge provided that you: (1) return the product to us with shipping charge prepaid, (2) provide us with proof of the original date of purchase and (3) quote our return authorization number.

Repaired or replaced products will be returned to you with shipping charges prepaid. Replacement products may be refurbished or contain refurbished materials. If in our sole discretion, we are unable to repair or replace a defective product, we will refund the purchase price of the product.

This warranty will not apply if in our judgment, the product fails due to damage in shipment, handling, storage, accident, abuse or misuse, or if it has been used in a manner not conforming to our product instructions, has been modified in any way, or has any serial number removed or defaced. Repair or attempted repair will void this warranty. Our maximum liability under the terms of this warranty is limited to the purchase price of the product covered by the warranty.

The warranty is given under English Law. If any part of this warranty is deemed unenforceable (including any provision in which we exclude our liability to you) the enforceability of any other parts of the warranty will not be affected. These terms do not reduce your statutory rights.

For Non-UK please contact Local Luceco Office for details. THESE TERMS AND CONDITIONS ARE SUBJECT TO CHANGE WITHOUT PRIOR NOTICE.

Eventually, you may want to replace this fitting;

Environmental Protection W.E.E.E (Wheelie Bin Symbol for EU ONLY)

This symbol is known as the "crossed-out" wheelie Bin Symbol". When this symbol is marked on a product or battery, It means that it should not be disposed of with your general household waste. Some chemicals contained within electrical/electronic products or batteries can be harmful to health and the environment. Only dispose of electrical/electronic/battery items in separate collection schemes, which cater for the recovery and recycling of materials contained within. Your co-operation is vital to ensure the success of these schemes and for the protection of the environment.



Tech Help Line

UK - **0330 0249 279**

Non UK - **+44 (0)1952 238 100**

Supplied by LUCECO

Stafford Park 1, Telford, Shropshire,
England, TF3 3BD

Kontakt

UK - **0330 0249 279**

Non UK - **+49 40 89066 878 - 29**

Geliefert von Luceco GmbH

Holstenplatz 20b,
22765 Hamburg DEUTSCHLAND

Support Technique

UK - **0330 0249 279**

Non UK - **+33 (0)1 61 10 10 35**

Notice fournie par

Luco SAS France & Belux 3
Rue de Courtalin, Magny Le Hongre 77700
FRANCE & BELUX

Servicio de asistencia telefónica

UK - **0330 0249 279**

Non UK - **+34 93 829 55 74**

(EU) Luceco SE

C/Bobinadora 1-5 08302 Mataró
Barcelona, Spain

Assistenza tecnica telefonica

UK - **0330 0249 279**

Non UK - **+39 0434 1696795**

Fornito da BG Electrical Ltd Nexus

Italia, Via Amman 10 33170
Pordenone, Italy