



# Technical Data

## Cooker Control Unit

### Brief product description:

The subtle design will blend with any décor - suitable for domestic or commercial installations.

### Features:

- White moulded round edge, sleek and slim with softly rounded edges
- Easy to install, supplied with fixing screws and installation instructions
- Colour coded terminals with backed out captive screws for fast installation
- Double pole for peace of mind and safer installation
- Twin earth for high integrity circuits
- Flush LED power indicator on 870
- Screw cover caps for a sleek appearance
- Anti-microbial certified - manufactured using high grade thermoset Urea which effectively inhibits the growth of infectious diseases, including MRSA, E-Coli, Salmonella and Klebsiella Pneumonia bacteria

### Product Images



### Technical Specifications

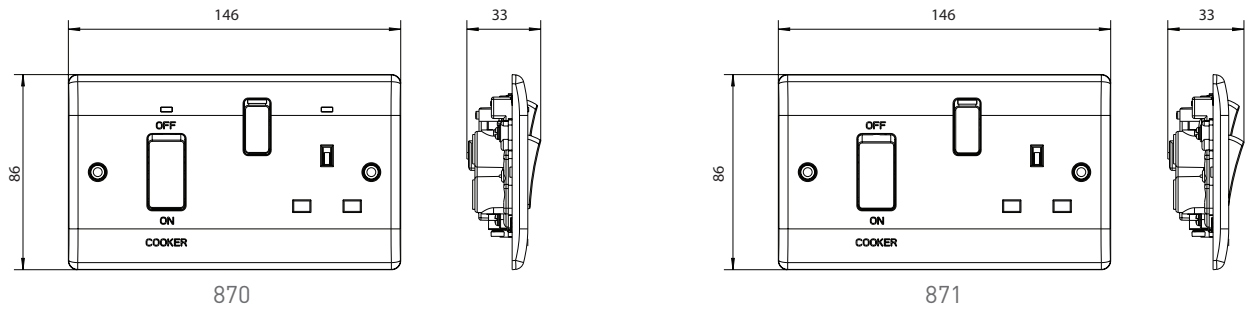
Standard(s)	BS 4177
Rating	45 Amp 250V AC
Switch Type	Double pole
Terminal Capacity	4 x 4.0mm <sup>2</sup> 3 x 6.0mm <sup>2</sup> 1 x 16.0mm <sup>2</sup>
RoHS Directive	Yes
WEEE Directive	Yes
Mounting Box Depth (Min)	47mm
Fixing Centres	120.6mm





# Cooker Control Unit

## Line Diagrams



## Packaging Information

Cat No.	Description	Packaging Type			Pack Quantity			Barcode		
		Product	Inner Box	Outer Box	Each	Inner Box	Outer Box	Individual	Inner Box	Outer Box
870	DP SW + 13A SKT + LED	Printed Bag	Printed Carton	Printed Carton	1	5	50	5050765001755	5050765001762	5050765001779
871	DP SW + 13A SKT	Printed Bag	Printed Carton	Printed Carton	1	5	50	5050765001786	5050765001793	5050765001809

## Weights & Dimensions

Cat No.	Description	Dimensions (H x W x D) cm				Weight (kg)				CBM (m <sup>3</sup> )
		Unpacked Product	Packed Product	Inner Box	Outer Box	Unpacked Product	Packed Product	Inner Box	Outer Box	Outer Box
870	DP SW + 13A SKT + LED	8.6 x 14.6 x 3.3	23 x 11 x 3.4	9.5 x 15.2 x 14.7	16.6 x 48.8 x 31	0.078	0.083	1.09	11.26	0.02511
871	DP SW + 13A SKT	8.6 x 14.6 x 3.3	23 x 11 x 3.4	9.5 x 15.2 x 14.7	16.6 x 48.8 x 31	0.078	0.083	1.08	11.16	0.02511