



Technical Data

45 Amp Cooker Outlet

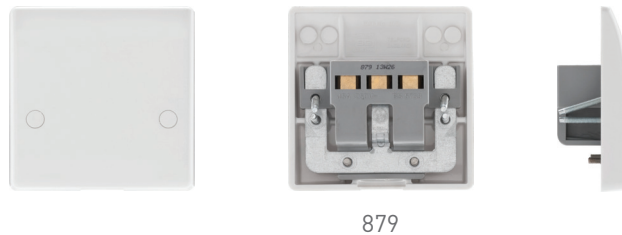
Brief product description:

The subtle design will blend with any décor - suitable for domestic or commercial installations.

Features:

- White moulded round edge, sleek and slim with softly rounded edges
- Easy to install, supplied with fixing screws and installation instructions
- Colour coded terminals with backed out captive screws for fast installation
- Cable entry in lower edge with removable reducer and reversible cord grip
- Screw cover caps for a sleek appearance
- Anti-microbial certified - manufactured using high grade thermoset Urea which effectively inhibits the growth of infectious diseases, including MRSA, E-Coli, Salmonella and Klebsiella Pneumonia bacteria

Product Images



Technical Specifications

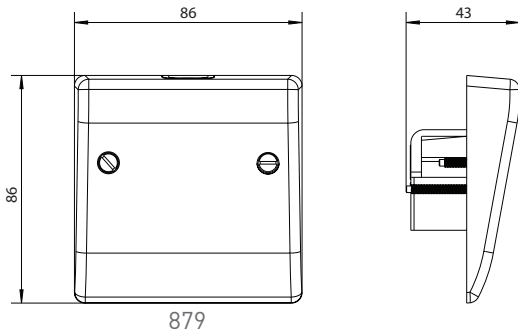
Standard(s)	BS 5733
Rating	45 Amp 250V AC
Terminal Capacity	3 x 10mm ²
RoHS Directive	Yes
WEEE Directive	Yes
Mounting Box Depth (Min)	47mm
Fixing Centres	60.3mm





45 Amp Cooker Outlet

Line Diagrams



Packaging Information

Cat No.	Description	Packaging Type			Pack Quantity			Barcode		
		Product	Inner Box	Outer Box	Each	Inner Box	Outer Box	Individual	Inner Box	Outer Box
879	45A COOKER OUTLET	Printed Bag	Printed Carton	Printed Carton	1	10	100	5050765001939	5050765001946	5050765001953

Weights & Dimensions

Cat No.	Description	Dimensions (H x W x D) cm				Weight (kg)				CBM (m ³)
		Unpacked Product	Packed Product	Inner Box	Outer Box	Unpacked Product	Packed Product	Inner Box	Outer Box	Outer Box
879	45A COOKER OUTLET	8.6 x 8.6 x 4.3	17 x 12 x 4.5	9.5 x 15.7 x 25.2	27.1 x 32.3 x 49.8	0.078	0.082	1.39	14.34	0.04359