



Technical Data

Cooker Control Unit

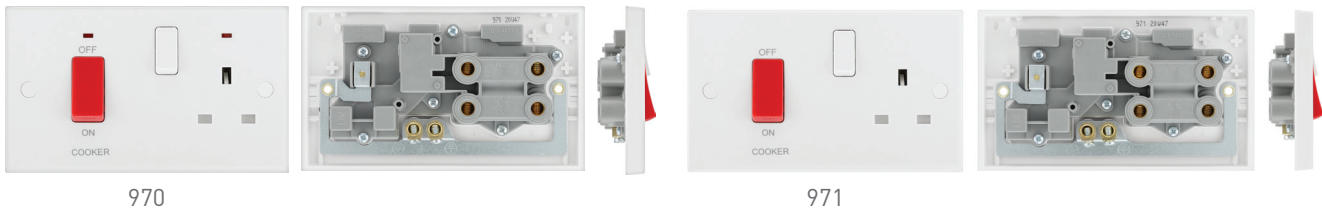
Brief product description:

A standard range of white moulded wall accessories offering superb quality and exceptional value.

Features:

- White moulded square edge profile offering exceptional value
- Easy to install, supplied with fixing screws and installation instructions
- Backed out captive terminal screws for fast installation
- Double pole for peace of mind and safer installation
- Twin earth for high integrity circuits
- Flush LED power indicator on 970
- Screw cover caps for a sleek appearance
- Anti-microbial certified - manufactured using high grade thermoset Urea which effectively inhibits the growth of infectious diseases, including MRSA, E-Coli, Salmonella and Klebsiella Pneumonia bacteria

Product Images



Technical Specifications

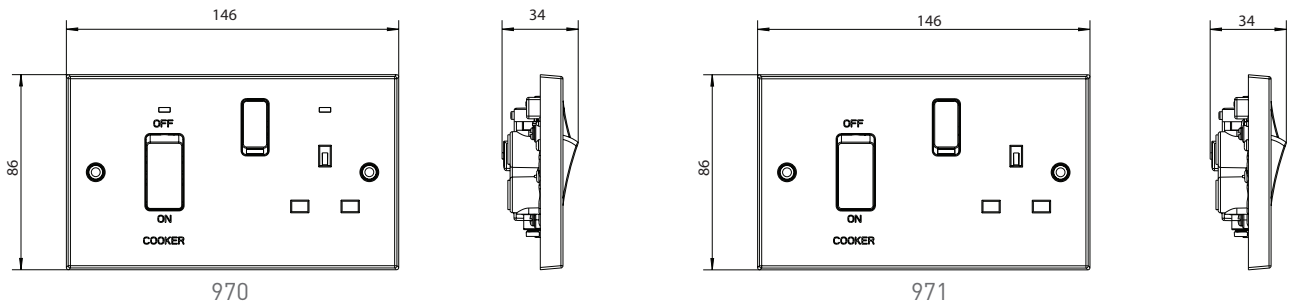
Standard(s)	BS 4177
Rating	45 Amp 250V AC
Switch Type	Double pole
Terminal Capacity	4 x 4.0mm ² 3 x 6.0mm ² 1 x 16.0mm ²
RoHS Directive	Yes
WEEE Directive	Yes
Mounting Box Depth (Min)	47mm
Fixing Centres	120.6mm





Cooker Control Unit

Line Diagrams



Packaging Information

Cat No.	Description	Packaging Type			Pack Quantity			Barcode		
		Product	Inner Box	Outer Box	Each	Inner Box	Outer Box	Individual	Inner Box	Outer Box
970	DP SW + 13A SKT + LED	Printed Bag	Printed Carton	Printed Carton	1	5	50	5021166970001	5021166970094	5021166970087
971	DP SW + 13A SKT	Printed Bag	Printed Carton	Printed Carton	1	5	50	5021166971008	5021166971091	5021166971084

Weights & Dimensions

Cat No.	Description	Dimensions (H x W x D) cm				Weight (kg)				CBM (m ³)
		Unpacked Product	Packed Product	Inner Box	Outer Box	Unpacked Product	Packed Product	Inner Box	Outer Box	Outer Box
970	DP SW + 13A SKT + LED	8.6 x 14.6 x 3.4	20.4 x 13 x 3.5	9.3 x 16.7 x 14.2	17.6 x 48.5 x 29.3	0.206	0.211	1.10	11.64	0.02501
971	DP SW + 13A SKT	8.6 x 14.6 x 3.4	20.4 x 13 x 3.5	9.3 x 16.7 x 14.2	17.6 x 48.5 x 29.3	0.206	0.211	1.05	11.14	0.02501