



Technical Data

Nexus Grid Front Plates - Part M

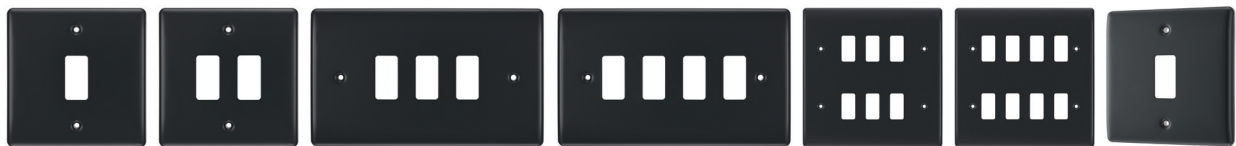
Brief product description:

The Nexus Grid range is ideal for domestic, commercial and industrial applications, and allows you to build your own module configurations with a variety of combinations and finishes.

Features:

- Front plates match the power products of the Part M range
- No visible plastic around rockers
- Grid solutions allow a wider range of solutions to enable compliance of requirements for Part M1
- Easy to install, supplied with fixing screws

Product Images



RPM1

RPM2

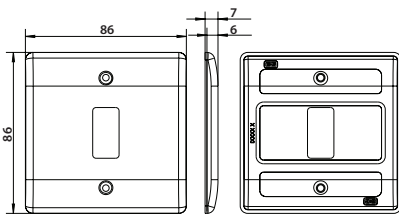
RPM3

RPM4

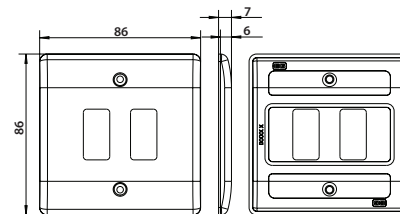
RPM6

RPM8

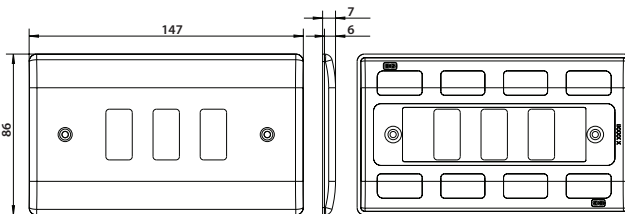
Line Diagrams



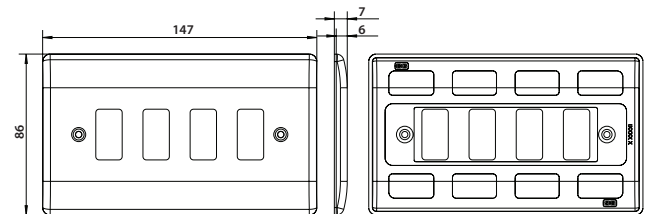
RPM1



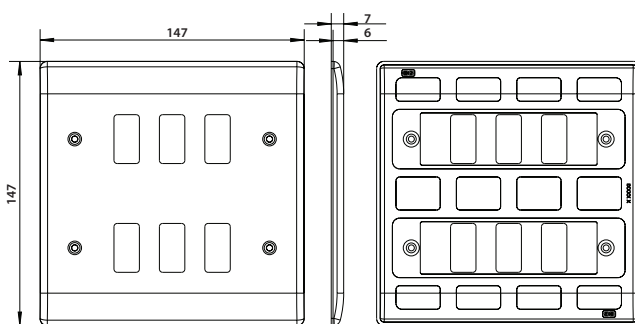
RPM2



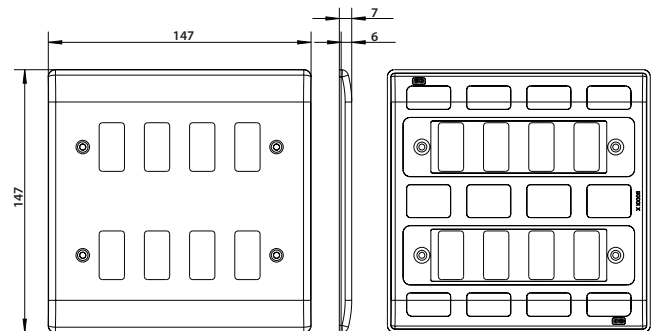
RPM3



RPM4



RPM6



RPM8



Technical Data

Nexus Grid Front Plates - Part M

Packaging Information

Cat No.	Description	Packaging Type			Pack Quantity			Barcode		
		Product	Inner Box	Outer Box	Each	Inner Box	Outer Box	Individual	Inner Box	Outer Box
RPM1	Part M - 1 Module	Bag	Colour Box	Carton	1	20	200	5050765203135	5050765203197	5050765203258
RPM2	Part M - 2 Module	Bag	Colour Box	Carton	1	20	200	5050765203142	5050765203203	5050765203265
RPM3	Part M - 3 Module	Bag	Colour Box	Carton	1	10	100	5050765203159	5050765203210	5050765203272
RPM4	Part M - 4 Module	Bag	Colour Box	Carton	1	10	100	5050765203166	5050765203227	5050765203289
RPM6	Part M - 6 Module	Bag	Colour Box	Carton	1	10	100	5050765203173	5050765203234	5050765203296
RPM8	Part M - 8 Module	Bag	Colour Box	Carton	1	10	100	5050765203180	5050765203241	5050765203302

Weights & Dimensions

Cat No.	Description	Dimensions (H x W x D) cm			Weight (kg)			CBM (m ³)
		Product	Inner Box	Outer Box	Each	Inner Box	Outer Box	Outer Box
RPM1	Part M - 1 Module	8.6 x 8.6 x 0.6	10 x 13.6 x 18.4	20.6 x 28.1 x 51.1	0.067	1.4	14.35	0.02958
RPM2	Part M - 2 Module	8.6 x 8.6 x 0.6	10 x 13.6 x 18.4	20.6 x 28.1 x 51.1	0.068	1.42	14.55	0.02958
RPM3	Part M - 3 Module	8.6 x 14.7 x 0.6	9.8 x 14.7 x 16.2	18 x 30.5 x 51	0.102	1.08	11.16	0.02800
RPM4	Part M - 4 Module	8.6 x 14.7 x 0.6	9.8 x 14.7 x 16.2	18 x 30.5 x 51	0.102	1.08	11.16	0.02800
RPM6	Part M - 6 Module	14.7 x 14.7 x 0.6	15.8 x 14.2 x 15.8	17.1 x 32.3 x 72.3	0.179	1.86	19.07	0.03993
RPM8	Part M - 8 Module	14.7 x 14.7 x 0.6	15.8 x 14.2 x 15.8	17.1 x 32.3 x 72.3	0.175	1.82	18.67	0.03993