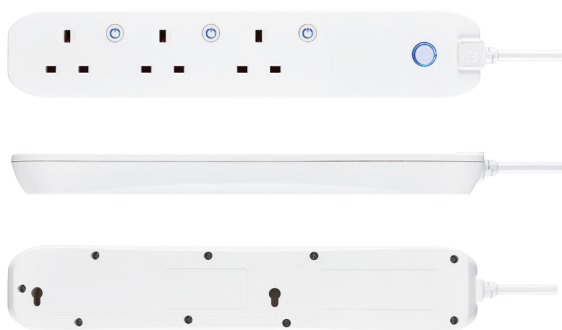


WiFi Controlled, Triple 13A Socket Extension Lead

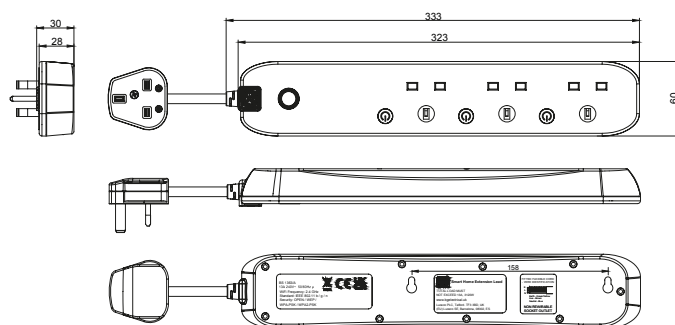
Innovative Home Automation system from BG.
 Control your connected devices from anywhere.
 Your life connected, Your life smarter.

- Control and schedule power in the home or outside via touch, voice commands or App
- No expensive gateway hub unit, no expensive cloud costs, or subscriptions
- BG Home App available to download from App Store or Google Play
- Set timer schedules, countdown function or random security options
- Compatible with Google Home, Amazon Alexa, Siri Shortcuts and IFTTT for smart home integration
- Quick and easy set-up, with in-App support
- Individual socket control or all sockets together
- Provides three additional sockets from a single wall socket connection
- Fitted with one metre of cable to extend the reach of your socket

PRODUCT IMAGES



LINE DRAWINGS



TECHNICAL SPECIFICATIONS

Standard(s)	Low Voltage Directive 2014/35/EU BS1363-2 : 2016 + A1:2018 EN 60669-2-1 : 2004 + A1:2009 + A12:2010 RED & EMC	
WEEE Directive	Yes	
RoHS Directive	Yes	
CE	Yes	
Rating	13 Amp 240 Volts ~ 3120 Watts 50/60 Hz	
Switch Type	Single Pole	
Cable Length	1 Metre	
Cable Type	H05VV-F 3G1,25	
Stand-by Power	<0.3W	
Working Condition Temp:	-20 - +85°C (For WiFi module)	
Connection Protocol	WiFi (Fast Con)	

WIRELESS SPECIFICATIONS

Wireless Frequency	2.4GHz
Wireless IEEE Standards	IEEE802.11b/g/n
Security Type	WAP/WAP2
Security Mechanism	Encryption standard: Open/WEP-Open/WPA/WPA2 Encryption algorithm: WEP64/WEP128/TKIP/AES

PACKAGING INFORMATION

Cat No.	Description	Packaging Type			Pack Quantity			Barcode		
		Product	Inner Box	Outer Box	Each	Inner Box	Outer Box	Individual	Inner Box	Outer Box
EHC31-01	Smart 3 Skt 1m Ext Lead	Box	SRP	Carton	1	4	8	5015056664194	5050765219761	5050765219570

WEIGHTS & DIMENSIONS

Cat No.	Description	Dimension (W x H x D) cm				Weight (Kg)				CBM (m ³)
		Unpacked Product	Packed Product	Inner Box	Outer Box	Each	Packed Product	Inner Box	Outer Box	Outer Box
EHC31-01	Smart 3 Skt 1m Ext Lead	6 x 2.8 x 33.3	11 x 35.2 x 5	12 x 39.5 x 22.4	25.5 x 41.5 x 28	0.43	0.51	1.39	5	0.03