



Technical Data

Dual RCD Type A Consumer Units - Unpopulated

Description:

This range of all metal consumer units offer a flexible solution for the 18th Edition Wiring Regulation BS7671. Available in a number of sizes from 8 way to 14 way, these consumer units will suit most applications.

Each unit has an integrated spirit level, aiding installing without additional tools.

Each unit is supplied with 100A Main switch and either dual 63A 1 X 80A/63A 1 X 100A/80A or dual 100A 30mA Type A RCDs.

The terminal and bus-bar design provide maximum flexibility for a combination of protected and unprotected circuits. A range of additional BG control devices can be fitted into the consumer unit.

Lockable covers available in the range, please contact BG for more information.

Product Images



Product Options

Cat No.	Description	Modules	Max Number of Ways
CFUD6606A-01	6 Way with 100A Switch, 2 x 63A 30mA Type A RCD	12	6
CFUD6610A-01	10 Way with 100A Switch, 2 x 63A 30mA Type A RCD	16	10
CFUD1000010A-01	10 Way with 100A Switch, 2 x 100A 30mA Type A RCD	16	10
CFUD6613A-01	13 Way with 100A Switch, 2 x 63A 30mA Type A RCD	19	13
CFUD1000013A-01	13 Way with 100A Switch, 2 x 100A 30mA Type A RCD	19	13
CFUD6616A-01	16 Way with 100A Switch, 2 x 63A 30mA Type A RCD	22	16
CFUD1000016A-01	16 Way with 100A Switch, 2 x 100A 30mA Type A RCD	22	16

Knockouts

Product	Top & Bottom Face	Sides	Base
12 Module	8 x ø20mm 1 x ø32mm	1 x ø32mm	1 x ø50 x 100mm
16 Module	9 x ø20mm 2 x ø32mm	1 x ø32mm	2 x ø50mm 1 x ø50 x 100mm
19 Module	11 x ø20mm 2 x ø32mm	1 x ø32mm	2 x ø50mm 1 x ø50 x 100mm
22 Module	13 x ø20mm 2 x ø32mm	1 x ø32mm	3 x ø50 x 100mm



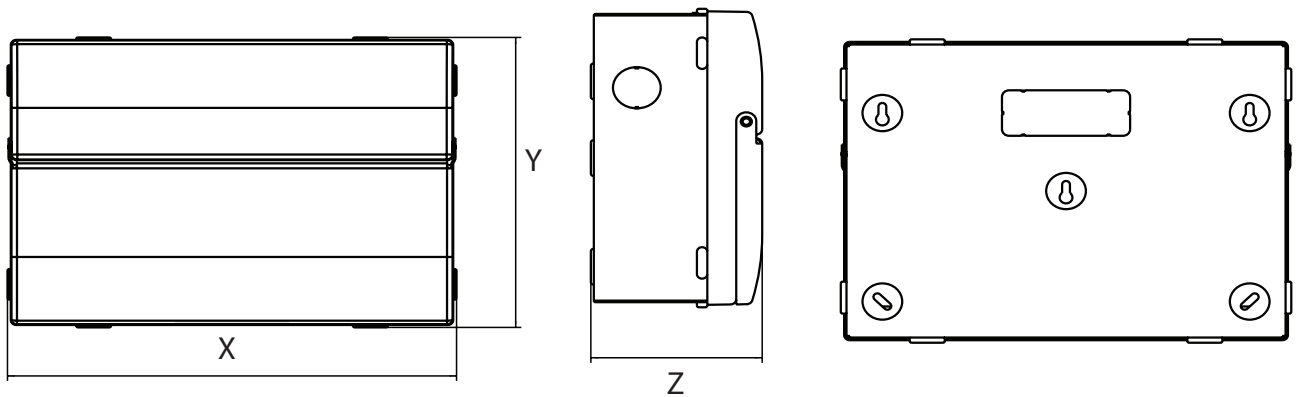
Technical Data

Dual RCD Type A Consumer Units - Unpopulated

Technical Specifications

Standard (s)	All metal consumer units comply with 18 th Edition Wiring Regulations BS 7671 Consumer Unit: BS EN 61439-3 Main Switch: EN / IEC 60947-3 RCD: EN / IEC 61008
Max Current Rating	100A
Operating Voltage	230V AC 50Hz
Short Current Withstand	16kA rms
IP Rating	IP2XC
Installation	Indoor
Material	Steel
Finish	White gloss (matches BG white accessories)
UV Stability	Yes
Cover Blanks	Each unit supplied with 2x cover blanks
Main Switch Terminal	35mm ² capacity
Main Switch Torque	2.5 Nm
RCD Terminal	35mm ² capacity
RCD Torque	63A: 2.5Nm; 80A: 2.5Nm; 100A: 2.5Nm

Line Diagrams



Dual RCD Type AC Consumer Units - Unpopulated

Consumer Unit Sizes

Cat No.	Dimensions (mm)			Fixing Centres (mm)		
	X	Y	Depth	X1	Y1	Z
CFUD6606A-01	315	231	115	258	180	5.5
CFUD6610A-01	389	231	115	330	180	5.5
CFUD1000010A-01	389	231	115	330	180	5.5
CFUD6613A-01	443	231	115	384	180	5.5
CFUD1000013A-01	443	231	115	384	180	5.5
CFUD6616A-01	497	231	115	438	180	5.5
CFUD1000016A-01	497	231	115	438	180	5.5

Packaging Information

Cat No.	Description	Packaging Type			Pack Quantity			Barcode		
		Product	Inner Box	Outer Box	Each	Inner Box	Outer Box	Individual	Inner Box	Outer Box
CFUD6606A-01	6 way	Printed Box	-	-	1	-	-	5050765195089	-	-
CFUD6610A-01	10 way	Printed Box	-	-	1	-	-	5050765195096	-	-
CFUD1000010A-01	10 way	Printed Box	-	-	1	-	-	5050765195300	-	-
CFUD6613A-01	13 way	Printed Box	-	-	1	-	-	5050765195102	-	-
CFUD1000013A-01	13 way	Printed Box	-	-	1	-	-	5050765195317	-	-
CFUD6616A-01	16 way	Printed Box	-	-	1	-	-	5050765195119	-	-
CFUD1000016A-01	16 way	Printed Box	-	-	1	-	-	5050765195324	-	-

Weights & Dimensions

Cat No.	Description	Dimension (W x L x H) cm			Weight (kg)			CMB (m ³)
		Product	Inner Box	Outer Box	Each	Inner Box	Outer Box	Outer Box
CFUD6606A-01	6 way	31.5 x 26.1 x 11.5	-	-	4.23	-	-	-
CFUD6610A-01	10 way	38.9 x 23.1 x 11.5	-	-	4.61	-	-	-
CFUD1000010A-01	10 way	38.9 x 23.1 x 11.5	-	-	4.61	-	-	-
CFUD6613A-01	13 way	44.3 x 23.1 x 11.5	-	-	5.06	-	-	-
CFUD1000013A-01	13 way	44.3 x 23.1 x 11.5	-	-	5.06	-	-	-
CFUD6616A-01	16 way	49.7 x 23.1 x 11.5	-	-	5.58	-	-	-
CFUD1000016A-01	16 way	49.7 x 23.1 x 11.5	-	-	5.58	-	-	-