



# Technical Data

## AFDD Device

### Brief product description:

Arc Fault Detection Device with combined RCBO.

This Arc Fault Detection Device has technology which is extremely effective against fires which may be caused by electrical arcing faults. These faults are typically caused by damaged or crushed cables, poorly terminated connections, the degrading of the cable insulation allowing current to leak between the electrical conductors and rodent damage.

AFDDs detect electrical arc faults that an MCB, RCBO or RCD are unable to detect, such as serial arcing faults, parallel arcing between conductors and parallel arcing between live and protective conductor (Earth).

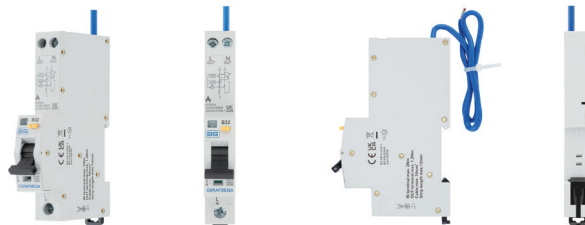
These devices are suitable for use on circuits, radial circuits and will also offer protection to spurs and leads.

These single module AFDDs with integral RCBO function are available in B curve with 30mA tripe sensitivity and fit into the BG Fortress range of consumer units and enclosures and can be easily retro fitted into existing installations.

### Features:

- Type A
- 30mA
- Single Module
- B Curve
- 6kA Breaking Capacity
- Available from 6A to 40A
- Positive Contact Status Indication

### Product Images



CURAFDB32A

### Technical Specifications

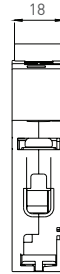
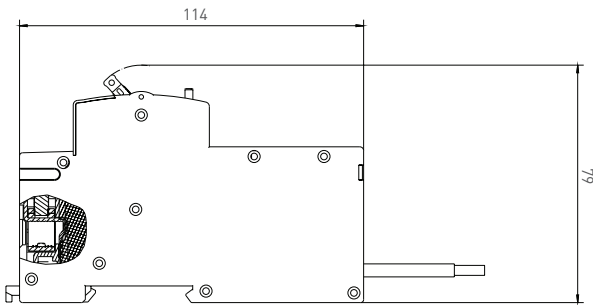
Standard(s)	IEC/EN 62606, IEC/EN 61009-1
Max Current Rating	6A, 10A, 16A, 20A, 32A, 40A
Operating Voltage	230V AC 50 Hz
Breaking Capacity	6000A
Rated Peak Withstand Voltage	4kV
RCD Type	Type A
Rated Tripping Current	30mA
Number of Poles	1P+N (1 Module)
Terminal Capacity	1 - 25mm <sup>2</sup>
Terminal Torque	L/in 2Nm, L & N out 1.2Nm
Endurance Operations	Electrical - 4000, Mechanical - 20,000





# AFDD Device

## Line Diagrams



## Packaging Information

Cat No.	Description	Packaging Type			Pack Quantity			Barcode		
		Product	Inner Box	Outer Box	Each	Inner Box	Outer Box	Individual	Inner Box	Outer Box
CURAFDB6A	B Type 6A	Printed Box	Printed Box	Carton	1	5	50	5050765219303	5050765227131	5050765227148
CURAFDB10A	B Type 10A	Printed Box	Printed Box	Carton	1	5	50	5050765219310	5050765227155	5050765227162
CURAFDB16A	B Type 16A	Printed Box	Printed Box	Carton	1	5	50	5050765219327	5050765227179	5050765227186
CURAFDB20A	B Type 20A	Printed Box	Printed Box	Carton	1	5	50	5050765219334	5050765227193	5050765227209
CURAFDB32A	B Type 32A	Printed Box	Printed Box	Carton	1	5	50	5050765219341	5050765227216	5050765227223
CURAFDB40A	B Type 40A	Printed Box	Printed Box	Carton	1	5	50	5050765219358	5050765227230	5050765227247

## Weights & Dimensions

Cat No.	Description	Dimensions (H x W x D) cm			Weight (kg)			CBM (m <sup>3</sup> )
		Product	Inner Box	Outer Box	Each	Inner Box	Outer Box	Outer Box
CURAFDB6A	B Type 6A	11.4 x 1.8 x 7.9	20.7 x 13.2 x 8.9	45 x 27 x 22	0.165	0.99	10.17	#N/A
CURAFDB10A	B Type 10A	11.4 x 1.8 x 7.9	20.7 x 13.2 x 8.9	45 x 27 x 22	0.165	0.99	10.17	#N/A
CURAFDB16A	B Type 16A	11.4 x 1.8 x 7.9	20.7 x 13.2 x 8.9	45 x 27 x 22	0.165	0.99	10.17	#N/A
CURAFDB20A	B Type 20A	11.4 x 1.8 x 7.9	20.7 x 13.2 x 8.9	45 x 27 x 22	0.165	0.99	10.17	#N/A
CURAFDB32A	B Type 32A	11.4 x 1.8 x 7.9	20.7 x 13.2 x 8.9	45 x 27 x 22	0.165	0.99	10.17	#N/A
CURAFDB40A	B Type 40A	11.4 x 1.8 x 7.9	20.7 x 13.2 x 8.9	45 x 27 x 22	0.165	0.99	10.17	#N/A

## Installation Method

To fit device onto DIN rail, fit top of device onto rail first and then push down bottom of device until retaining device clip "clicks" and locks onto DIN rail.

When fitting please ensure Main Switch is butted firmly against "pip" on far righthand side of the DIN rail.

To remove device, pull out retaining device clip from bottom of Switch (using flat blade screwdriver) and remove by lifting bottom part of switch first.