

LEREN SUSPENDED

Product Features

- Direct/indirect continuous linear system, has been truly designed with the installation and application in mind.
- Slim aluminium extrusion finished in RAL9016 (brilliant white), offers superior quality lighting for any education or commercial environment.
- This complete solution offers blank infill sections and ceiling rose accessories, with through wiring as standard.
- Suspended system offers low-power and higher performance against conventional light sources.



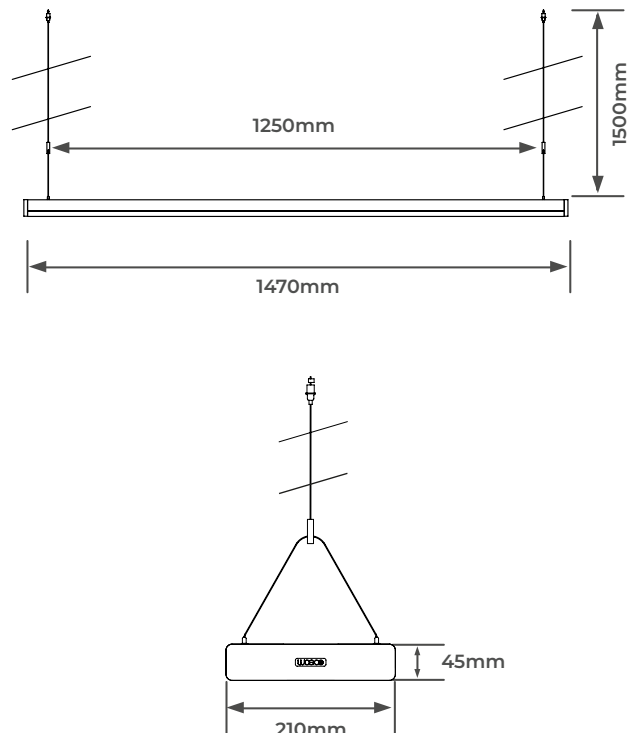
To Specify:

Suspended direct and indirect architectural lighting system with modern and minimalist design for low glare applications. Efficacy up to 121 Llm/cW.



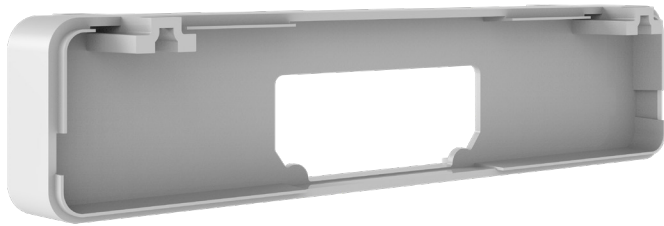
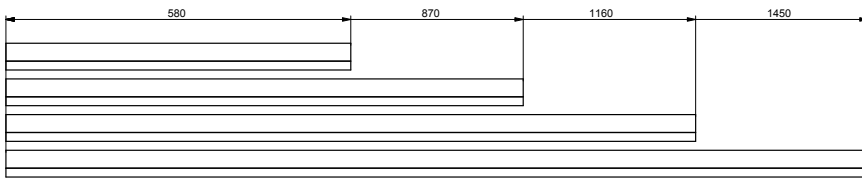
CAT NO.	DRIVER	LUMINAIRE LUMENS	WATTAGE	EFFICACY Llm/cW
LER15W40S40	Standard	4000	33W	121
LER15W40E40	Emergency	4000	33W	121
LER15W40D40	Digital Dimmable	4000	33W	121
LER15W40ED40	Emergency Dimmable	4000	33W	121
LER15W40DED40	Digital Dimmable + Emergency	4000	33W	121
LER15W40D40PIR	Digital Dimmable	4000	33W	121
LER15W40ED40PIR	Emergency Dimmable	4000	33W	121
LER15W52S40	Standard	5200	44W	118
LER15W52E40	Emergency	5200	44W	118
LER15W52D40	Digital Dimmable	5200	44W	118
LER15W52ED40	Emergency Dimmable	5200	44W	118
LER15W52DED40	Digital Dimmable + Emergency	5200	44W	118
LER15W52D40PIR	Digital Dimmable	5200	44W	118
LER15W52ED40PIR	Emergency Dimmable	5200	44W	118
LER15W75S40	Standard	7500	65W	115
LER15W75E40	Emergency	7500	65W	115
LER15W75D40	Digital Dimmable	7500	65W	115
LER15W75ED40	Emergency Dimmable	7500	65W	115
LER15W75DED40	Digital Dimmable + Emergency	7500	65W	115
LER15W75D40PIR	Digital Dimmable	7500	65W	115
LER15W75ED40PIR	Emergency Dimmable	7500	65W	115

Product Drawing



Infills & Accessories

CAT NO.	DRIVER	DIMENSIONS L x W x H mm
LER6WMOD	Blank Module	580 x 210 x 45
LER9WMOD	Blank Module	870 x 210 x 45
LER12WMOD	Blank Module	1160 x 210 x 45
LER15WMOD	Blank Module	1450 x 210 x 45
LERCON	Mechanical Connector	102 x 210 x 45
LERCRI5	Ceiling Rose	210 x 45 x 30



Mechanical Connector



Blank Module

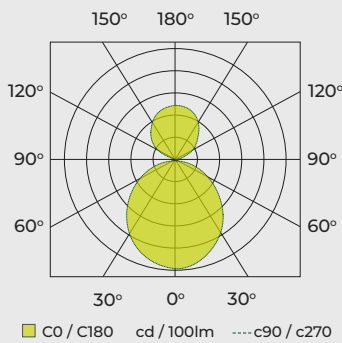
CAT NO.	WEIGHT (kg)	L FIXING CENTRES (mm)	CRI	SDCM	UGR	IK RATING	FREQUENCY (Hz)	TEMP RANGE (°C)	AMBIENT TEMP RATED LIFE (°C)	L/B RATED LIFE
LER15W40S40	8.02	1250	>80	<3	<17	IK10	50-60	-20 - +25	25	L80/B10
LER15W40E40	8.12	1250	>80	<3	<17	IK10	50-60	-20 - +25	25	L80/B10
LER15W40D40	8.19	1250	>80	<3	<17	IK10	50-60	-20 - +25	25	L80/B10
LER15W40ED40	8.28	1250	>80	<3	<17	IK10	50-60	-20 - +25	25	L80/B10
LER15W40DED40	8.38	1250	>80	<3	<17	IK10	50-60	-20 - +25	25	L80/B10
LER15W40D40PIR	8.45	1250	>80	<3	<17	IK10	50-60	-20 - +25	25	L80/B10
LER15W40ED40PIR	8.28	1250	>80	<3	<17	IK10	50-60	-20 - +25	25	L80/B10
LER15W52S40	8.02	1250	>80	<3	<18	IK10	50-60	-20 - +25	25	L80/B10
LER15W52E40	8.12	1250	>80	<3	<18	IK10	50-60	-20 - +25	25	L80/B10
LER15W52D40	8.19	1250	>80	<3	<18	IK10	50-60	-20 - +25	25	L80/B10
LER15W52ED40	8.28	1250	>80	<3	<18	IK10	50-60	-20 - +25	25	L80/B10
LER15W52DED40	8.38	1250	>80	<3	<18	IK10	50-60	-20 - +25	25	L80/B10
LER15W52D40PIR	8.45	1250	>80	<3	<18	IK10	50-60	-20 - +25	25	L80/B10
LER15W52ED40PIR	8.28	1250	>80	<3	<18	IK10	50-60	-20 - +25	25	L80/B10
LER15W75S40	8.02	1250	>80	<3	<19	IK10	50-60	-20 - +25	25	L80/B10
LER15W75E40	8.12	1250	>80	<3	<19	IK10	50-60	-20 - +25	25	L80/B10
LER15W75D40	8.19	1250	>80	<3	<19	IK10	50-60	-20 - +25	25	L80/B10
LER15W75ED40	8.28	1250	>80	<3	<19	IK10	50-60	-20 - +25	25	L80/B10
LER15W75DED40	8.38	1250	>80	<3	<19	IK10	50-60	-20 - +25	25	L80/B10
LER15W75D40PIR	8.45	1250	>80	<3	<19	IK10	50-60	-20 - +25	25	L80/B10
LER15W75ED40PIR	8.28	1250	>80	<3	<19	IK10	50-60	-20 - +25	25	L80/B10

LER15W40S40

Luminaire Performance

Light Output Ratio: 100%
 Luminaire Efficacy: 121.21lm/W
 Light Distribution: B43 +65.8% +34.2%
 CIE Flux Codes: 48 79 95 66 100
 UGR 4H 8H
 (20%, 50%, 70%) C0 / C90: 18.5 / 18.5

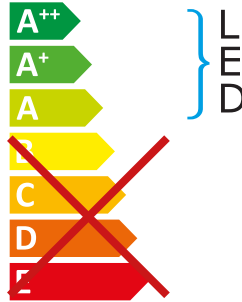
Luminous Intensity



LUCECO



This luminaire contains built-in LED lamps.



The lamps cannot be changed in the luminaire.

874/2012



CE RoHS



STANDARD	DESCRIPTION
EN 60598-1	Luminaires – General requirements
EN 60598-2-1	Luminaires – Fixed general purpose
EN 60598-2-22	Luminaires – Emergency
EN 61000-3-2	Electromagnetic compatibility (EMC) – Part 3-2: Limits - for harmonic current emissions
EN 61000-3-3	Limits - Limitation of voltage changes, voltage fluctuations and flicker in public low-voltage supply systems, for equipment with rated current ≤ 16 A per phase and not subject to conditional connection
EN 61547	Equipment for general lighting purposes – EMC immunity requirements
EN 55015	Limits and methods of measurement of radio disturbance characteristics of electrical lighting and similar equipment