

## AZURAR WALL LANTERN

- Decorative modern design with waterproof die cast housing
- Can be installed with arm at the top or bottom to suit requirement
- Decorative filament LED lamp included
- IP44 weather protection
- Available in black and slate grey



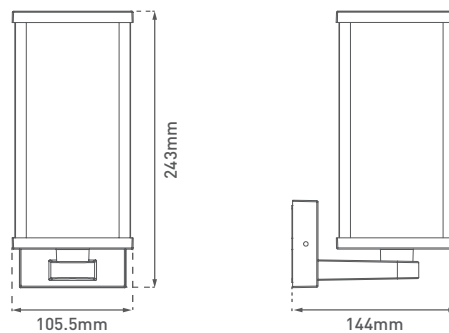
BLACK FINISH

SLATE GREY FINISH

CAT NO.	FINISH
LEXDGLBB	Black
LEXDGLBG	Slate Grey



Product Drawing



Decorative lamp included



CAT NO.	LAMP BASE	WATTAGE	IP RATING	FREQUENCY (Hz)	IK RATING
LEXDGLBB	E27	60W MAX	IP44	50/60	IK02
LEXDGLBG	E27	60W MAX	IP44	50/60	IK02

CAT NO.	INPUT VOLTAGE (V)	FREQUENCY (Hz)	MAX POWER	LUMINAIRE LUMENS	EFFICACY (Llm/W)	CRI	CCT	POWER FACTOR	OPERATING TEMP RATED LIFE (°C)	LIFESPAN (Hrs)	SWITCHING CYCLE	L/B RATED LIFE
LA27W7F81	220-240	50/60	7W	810	115.7	>80	2700K	≥ 0.5	25	15,000	12,500	L70 / B50

STANDARD	DESCRIPTION
EN 60598-1	Luminaires – General requirements
EN 60598-2-1	Luminaires – Fixed general purpose
EN 61000-3-2	Electromagnetic compatibility (EMC) – Part 3-2: Limits - for harmonic current emissions
EN 61000-3-3	Limits - Limitation of voltage changes, voltage fluctuations and flicker in public low-voltage supply systems, for equipment with rated current ≤ 16 A per phase and not subject to conditional connection
EN 61547	Equipment for general lighting purposes – EMC immunity requirements
EN 55015	Limits and methods of measurement of radio disturbance characteristics of electrical lighting and similar equipment

