

## LUXPANEL ESSENCE

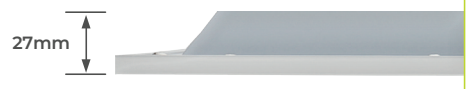
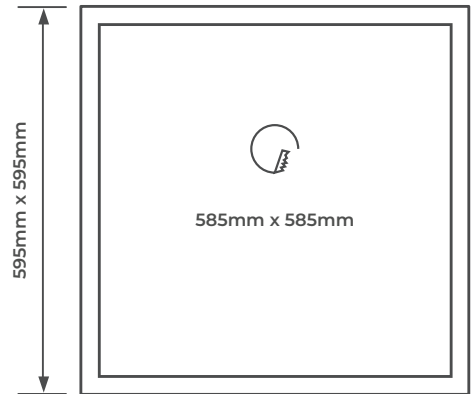
### Product Features

- Backlit LED technology with slimline 27mm depth
- White aluminium frame with TPb UGR19 compliant diffuser
- Recessed mounted suitable for use in 15mm or 24mm standard exposed ceiling grids



CAT NO.	DRIVER	LUMINAIRE LUMENS	WATTAGE	COLOUR TEMP	SIZE
LES66W28L40	Fixed Output	2800	25.5W	4000K	595x595mm
LES66W28D40	Switch Dim / DALI	2800	25.5W	4000K	595x595mm
LES66W28L30	Fixed Output	2800	25.5W	3000K	595x595mm
LES66W28L60	Fixed Output	2800	25.5W	6000K	595x595mm
LES66W35L40	Fixed Output	3500	32W	4000K	595x595mm
LES66W35D40	Switch Dim / DALI	3500	32W	4000K	595x595mm
LES612W50L40	Fixed Output	5000	45W	4000K	1195x595mm
LES612W50D40	Switch Dim / DALI	5000	45W	4000K	1195x595mm

### Product Drawing



### PRODUCT OPTIONS

Remote Emergency Pack	LED3EP80
-----------------------	----------

### PRODUCT ACCESSORIES

600x600 Surface Frame	EBPSF66W
1200x600 Surface Frame	EBPSF612W
1.5 Metre Wire Suspension Kit	EBPWSK415

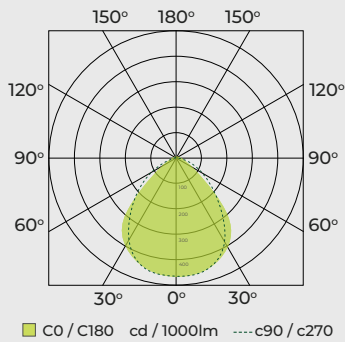
CAT NO.	EFFICACY (Lm/W)	CRI	FREQUENCY (Hz)	UGR	SDCM	TEMP RANGE (°C)	AMBIENT TEMP RATED LIFE (°C)	L/B RATED LIFE
LES66W28L40	110	>80	50-60	<19	<6	-20 to +45	25	L70 / B50
LES66W28D40	110	>80	50-60	<19	<6	-20 to +45	25	L70 / B50
LES66W28L30	110	>80	50-60	<19	<6	-20 to +45	25	L70 / B50
LES66W28L60	110	>80	50-60	<19	<6	-20 to +45	25	L70 / B50
LES66W35L40	110	>80	50-60	<19	<6	-20 to +45	25	L70 / B50
LES66W35D40	110	>80	50-60	<19	<6	-20 to +45	25	L70 / B50
LES612W50L40	110	>80	50-60	<19	<6	-20 to +45	25	L70 / B50
LES612W50D40	110	>80	50-60	<19	<6	-20 to +45	25	L70 / B50

### LES66W28L40

#### Luminaire Performance

Luminaire Efficiency: 100%  
 Luminaire Efficacy: 110 lm/W  
 Classification: A50 ↓100% ↑0%  
 CIE Flux Codes: 60 87 97 100 100  
 UGR 4H 8H  
 (20%, 50%, 70%) C0 / C90: 16.5 / 17.1

#### Luminous Intensity

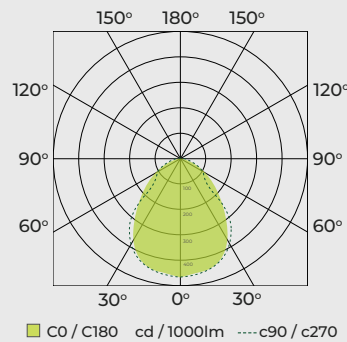


### LES612W50L40

#### Luminaire Performance

Luminaire Efficiency: 100.11%  
 Luminaire Efficacy: 110 lm/W  
 Classification: A50 ↓100% ↑0%  
 CIE Flux Codes: 60 87 97 100 100  
 UGR 4H 8H  
 (20%, 50%, 70%) C0 / C90: 16.3 / 16.1

#### Luminous Intensity



STANDARD	DESCRIPTION
EN 60598-1	Luminaires – General requirements
EN 60598-2-2	Luminaires – Recessed
EN 60598-2-22	Luminaires – Emergency
EN 61000-3-2	Electromagnetic compatibility (EMC) – Part 3-2: Limits – for harmonic current emissions
EN 61000-3-3	Limits - Limitation of voltage changes, voltage fluctuations and flicker in public low-voltage supply systems, for equipment with rated current ≤ 16 A per phase and not subject to conditional connection
EN 61547	Equipment for general lighting purposes – EMC immunity requirements
EN 55015	Limits and methods of measurement of radio disturbance characteristics of electrical lighting and similar equipment

