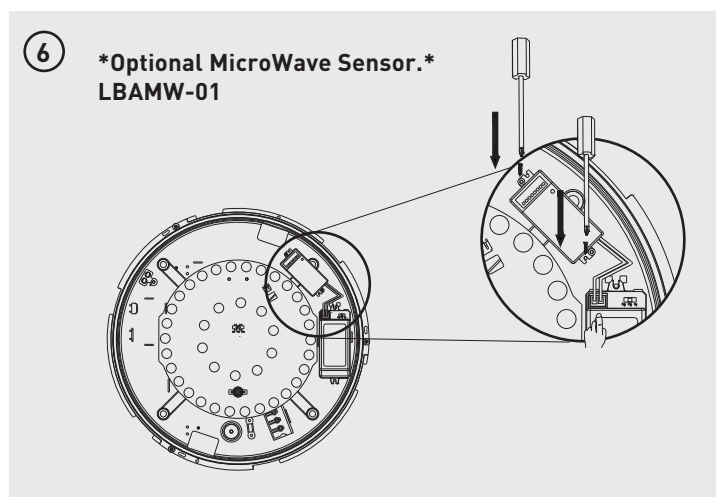
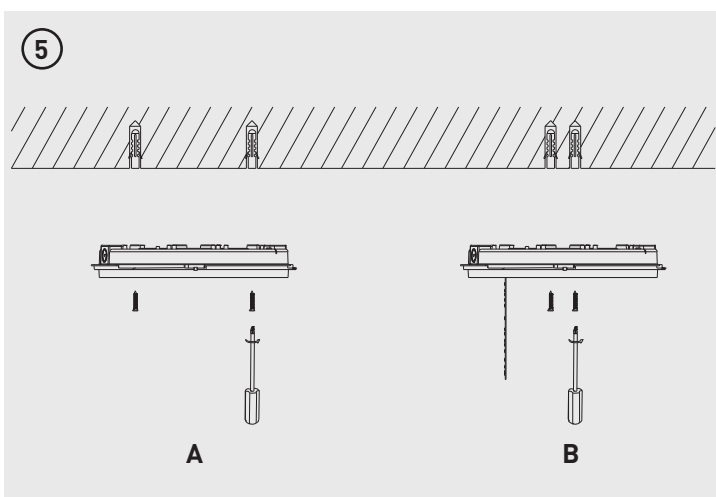
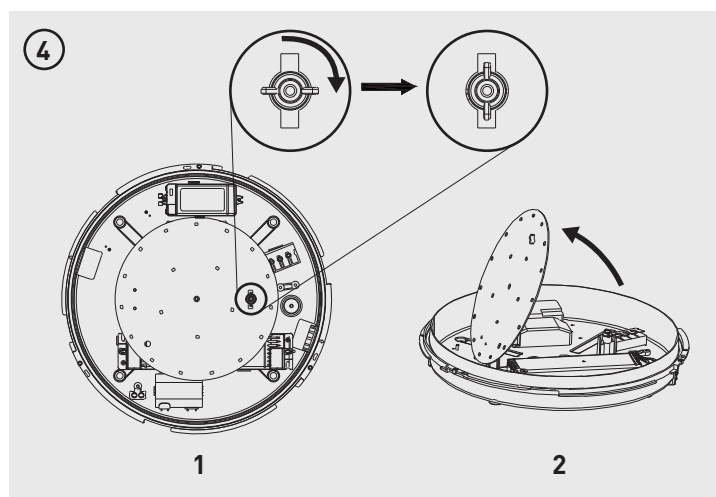
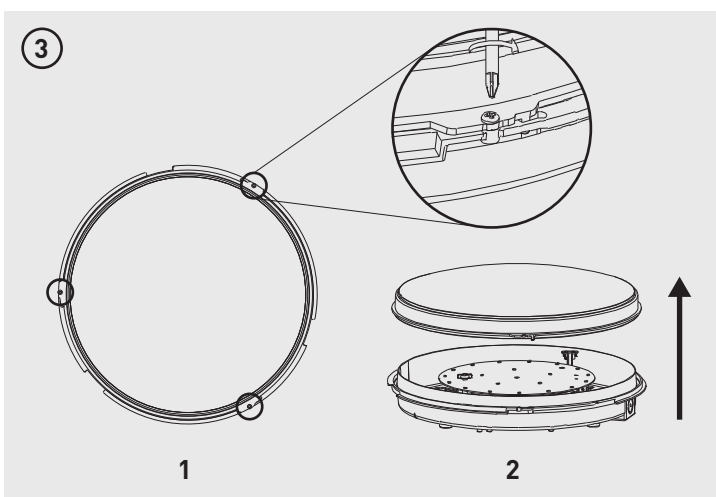
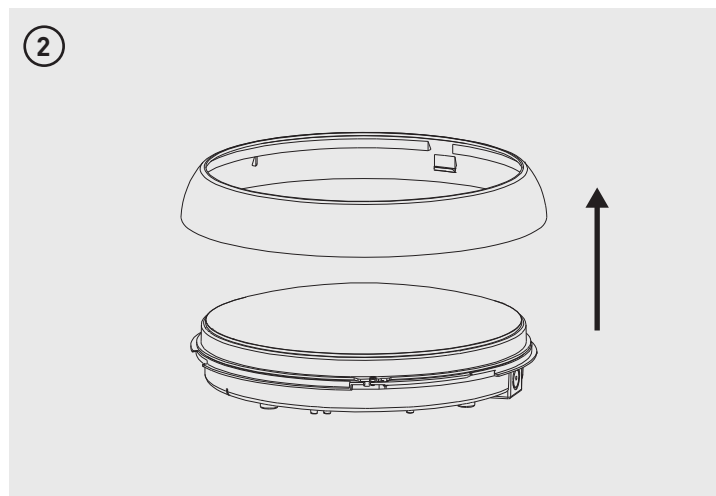
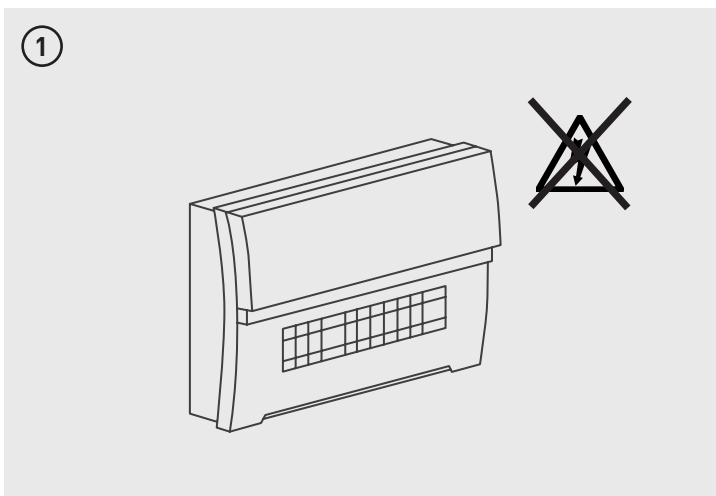


ANDES BULKHEAD

PART CODE: LBA315WSCC-01 / LBA315WECC-01

This Luminaire contains a light source of Class <E>



Tech Help Line

UK - 0330 0249 279

Non UK - +44 (0)1952 238 100

Supplied by LUCECO

Stafford Park 1, Telford, Shropshire,
England, TF3 3BD

Visit our website at www.luceco.com

Servicio de asistencia telefónica

UK - 0330 0249 279

Non UK - +34 93 829 55 74

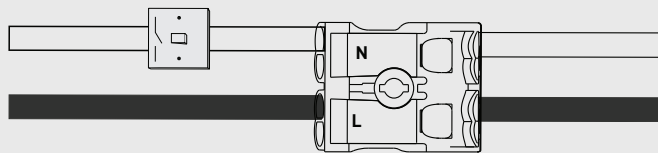
(EU) Luceco SE

C/ Bobinadora 1-5
08302 Mataró Spain

Visite nuestra web en www.luceco.com

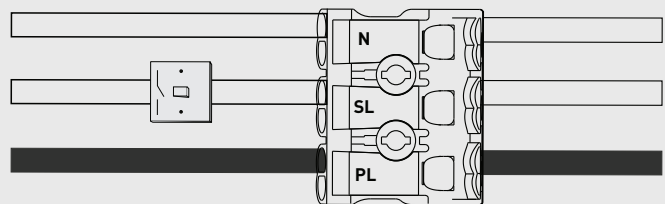
7 Fixed Output

DE - NICHT DIMMBAR
 ES - NO DIMMABLE
 PT - NÃO REGULÁVEL
 FR - NON-DIMMABLE
 IT - NON DIMMERABILE

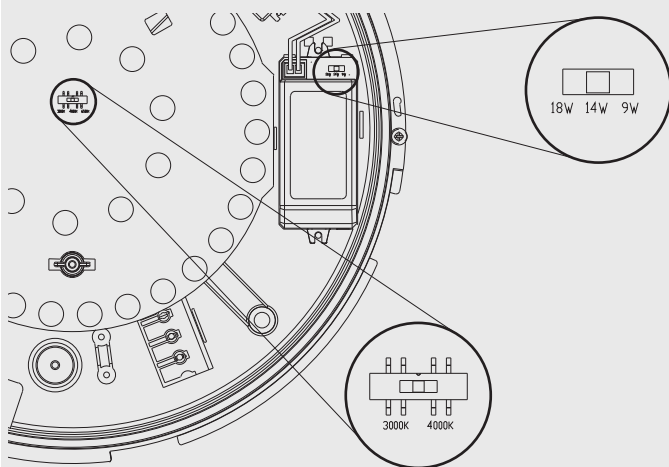


8 Emergency

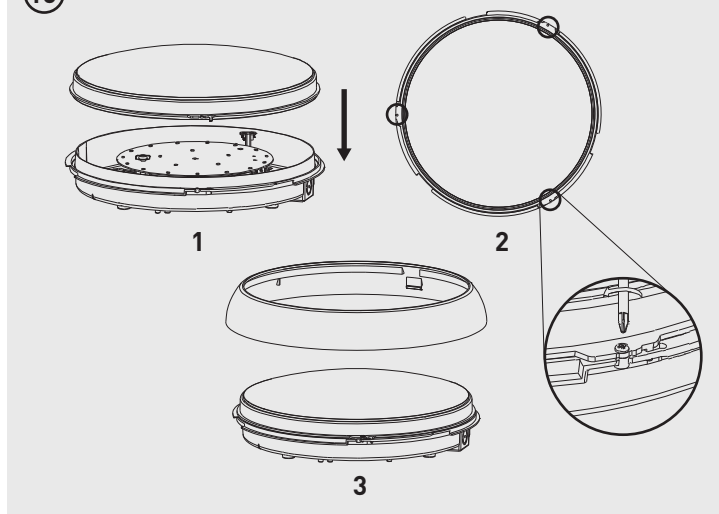
DE - NOTBELEUCHTUNG
 ES - EMERGENCIA
 PT - EMERGÊNCIA
 FR - URGENCE
 IT - EMERGENZA



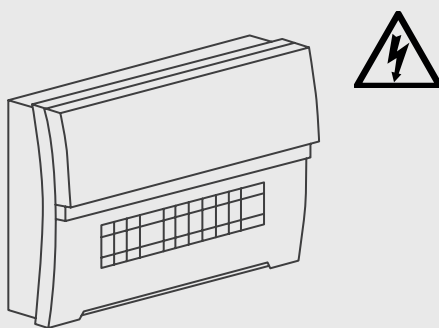
9



10



11



Tech Help Line
 UK - **0330 0249 279**
 Non UK - **+44 (0)1952 238 100**
 Supplied by LUCECO
 Stafford Park 1, Telford, Shropshire,
 England, TF3 3BD
 Visit our website at www.luceco.com

Servicio de asistencia telefónica
 UK - **0330 0249 279**
 Non UK - **+34 93 829 55 74**
 (EU) Luceco SE
 C/ Bobinadora 1-5
 08302 Mataró Spain
 Visite nuestra web en www.luceco.com

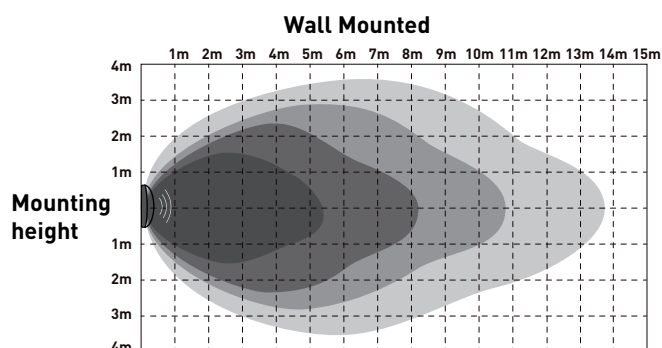
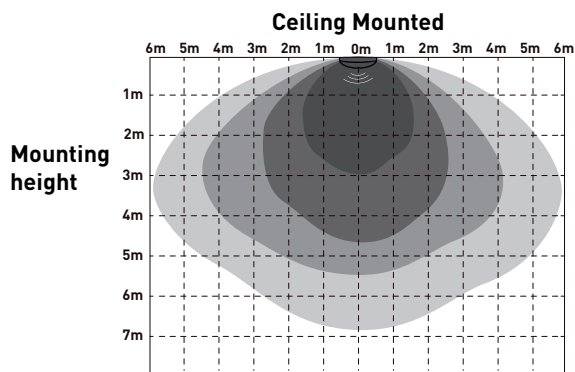
OPTIONAL MICROWAVE SENSOR

LBAMW-01



SENSITIVITY		HOLD TIME		DAYLIGHT THRESHOLD		STAND-BY PERIOD		STAND-BY DIMMING LEVEL	
DIP Switch	1	DIP Switch	2 3	DIP Switch	4 5	DIP Switch	6 7	DIP Switch	8
100%	●	5s	● ●	Disable	● ●	0s	● ●	10%	●
50%	○	90s	○ ●	50 Lux	○ ●	10s	○ ●	30%	○
		5 min	● ○	25 Lux	● ○	15 min	● ○		
		10 min	○ ○	10 Lux	○ ○	+ ∞	○ ○		

Sensitivity: 25% 50% 75% 100%



Tech Help Line
 UK - **0330 0249 279**
 Non UK - **+44 (0)1952 238 100**
 Supplied by LUCECO
 Stafford Park 1, Telford, Shropshire,
 England, TF3 3BD
 Visit our website at www.luceco.com

Servicio de asistencia telefónica
 UK - **0330 0249 279**
 Non UK - **+34 93 829 55 74**
 (EU) Luceco SE
 C/ Bobinadora 1-5
 08302 Mataró Spain
 Visite nuestra web en www.luceco.com