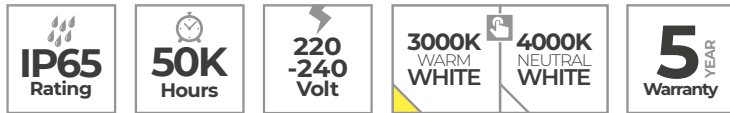


ANDES BULKHEAD

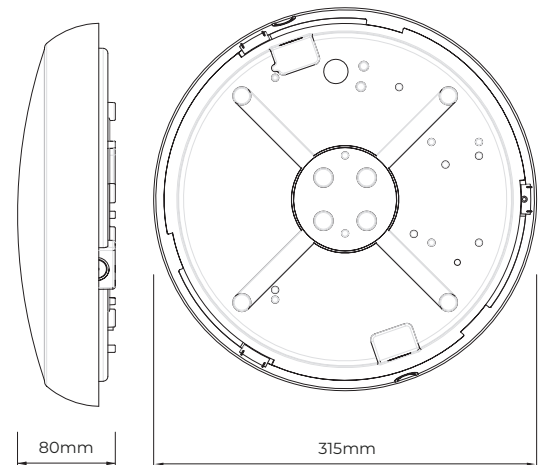
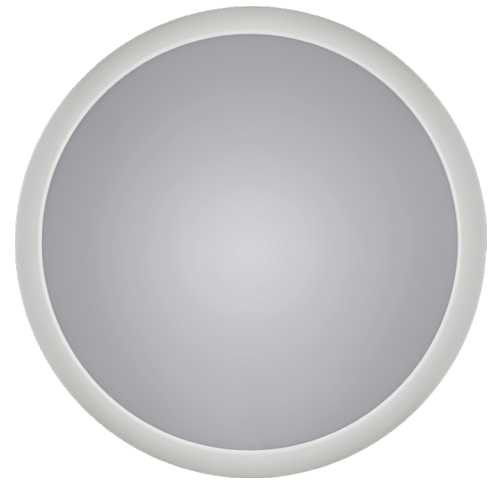
Product Features

- Surface mounted polycarbonate bulkhead with wattage change feature easily selected on site.
- Selectable CCT of 3000K and 4000K to suit application.
- Rear and side cable entry points to ensure easy access for wiring.
- High efficient LEDs achieving 100Llm/cW.
- Plug and play Microwave sensor available easily fitted on site, emergency available.



CAT NO.	DRIVER	LUMENS	WATTAGE
LBA315WSCC	Fixed Output	900/1400/1800	9/14/18W
LBA315WECC	Fixed Output + Emergency	900/1400/1800	9/14/18W

ACCESSORY NO.	DESCRIPTION
LBAMW	Plug and Play Microwave Sensor



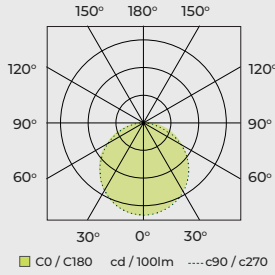
CAT NO.	WEIGHT	LLM/W	CRI	FREQUENCY	IK RATING	TEMP RANGE	AMBIENT TEMP RATED LIFE	L / B RATED LIFE
LBA315WSCC	0.67	100	>80	50-60	IK08	-20°C to +25°C	25°C	L70 B50
LBA315WECC	0.897	100	>80	50-60	IK08	0°C to +25°C	25°C	L70 B50

LBA315WSCC 9W

Luminaire Performance

Light Output Ratio: 100%
 Luminaire Efficacy: 100 lm/W
 Light Distribution: A40 ↓ 99.0% ↑ 1.0%
 CIE Flux Codes: 46 78 95 99 100
 UGR 4H 8H
 (20%, 50%, 70%) C0 / C90: 21.9 / 21.8

Luminous Intensity

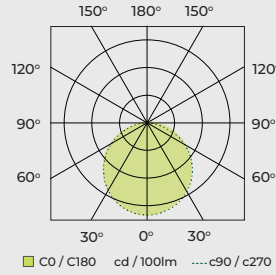


LBA315WSCC 14W

Luminaire Performance

Light Output Ratio: 100%
 Luminaire Efficacy: 100 lm/W
 Light Distribution: A40 ↓ 99.0% ↑ 1.0%
 CIE Flux Codes: 46 78 95 99 100
 UGR 4H 8H
 (20%, 50%, 70%) C0 / C90: 23.4 / 23.3

Luminous Intensity

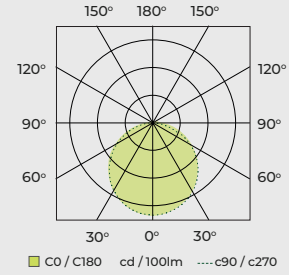


LBA315WSCC 18W

Luminaire Performance

Light Output Ratio: 100%
 Luminaire Efficacy: 100 lm/W
 Light Distribution: A40 ↓ 99.0% ↑ 1.0%
 CIE Flux Codes: 46 78 95 99 100
 UGR 4H 8H
 (20%, 50%, 70%) C0 / C90: 24.3 / 24.2

Luminous Intensity



STANDARD	DESCRIPTION
EN 60598-1	Luminaires – General requirements
EN 60598-2-1	Luminaires – Fixed general purpose
EN 60598-2-22	Luminaires – Emergency
EN 61000-3-2	Electromagnetic compatibility (EMC) – Part 3-2: Limits - for harmonic current emissions
EN 61000-3-3	Limits - Limitation of voltage changes, voltage fluctuations and flicker in public low-voltage supply systems, for equipment with rated current ≤ 16 A per phase and not subject to conditional connection
EN 61547	Equipment for general lighting purposes – EMC immunity requirements
EN 55015	Limits and methods of measurement of radio disturbance characteristics of electrical lighting and similar equipment