

GU10 CLASSIC COLOUR CHANGE LAMP

Wi-Fi CONTROLLED

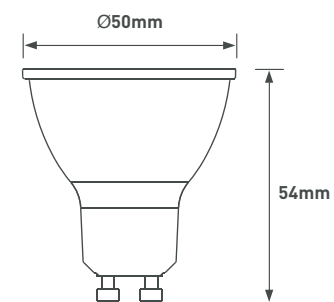
Product Features

- Intelligent Smart Meshing
- Reliable, does not overload Wi-Fi network
- Operate using your home Wi-Fi network on 2.4GHz – no Hub required
- Self-healing for improved reliability
- Group and control BG Luceco Smart! lighting together or individually via voice command or the app
- Communicates* beyond Wi-Fi router perimeter
*must have other lighting devices in range connected to Wi-Fi
- Network power (Pnet) = 0.49W



CAT NO.	LUMINAIRE LUMENS	WATTAGE	COLOUR TEMP
SLGUCC5W35	345lm	4.8W	2700-6500K

Product Drawings



CAT NO.	FREQUENCY (V/Hz)	USEFUL LUMENS	LIFE/ HOURS	EQUIVALENT TO	POWER FACTOR	SWITCHING CYCLE	LED TYPE	DIMMABLE	CRI	BEAM ANGLE	DIAMETER	HEIGHT	MERCURY CONTENT
SLGUCC5W35	220-240/50-60	345lm	25,000hrs	35W	≥0.5	12,500	SMD	VIA APP	≥80	36°	50mm	54mm	(Hg)/0.0mg

STANDARD	DESCRIPTION
BS EN 62560	Self-ballasted LED-lamps for general lighting services by voltage > 50 V. Safety specifications.
BS EN 62471	Photo-biological safety of lamps and lamp systems
BS EN 55015	Limits and methods of measurement of radio disturbance characteristics of electrical lighting and similar equipment.
BS EN 61547	Equipment for general lighting purposes. EMC immunity requirements.
BS EN 61000-3-2	Electromagnetic compatibility (EMC). Limits. Limits for harmonic current emissions (equipment input current ≤ 16 A per phase)
BS EN 61000-3-3	Electromagnetic compatibility (EMC). Limits. Limitation of voltage changes, voltage fluctuations and flicker in public low-voltage supply systems, for equipment with rated current I_n ≤ 16 A per phase and not subject to conditional connection
ETSI EN 300 328 V2.2.1	Wideband transmission systems; Data transmission equipment operating in the 2,4 GHz band; Harmonised Standard for access to radio spectrum
ETSI EN 301 489-1 V2.2.3	Electromagnetic Compatibility (EMC) standard for radio equipment and services; Part 1: Common technical requirements; Harmonised Standard for Electromagnetic Compatibility
ETSI EN 301 489-17 V3.2.4	Electromagnetic Compatibility (EMC) standard for radio equipment and services; Part 17: Specific conditions for Broadband Data Transmission Systems; Harmonised Standard for Electromagnetic Compatibility
BS EN 62493	Assessment of lighting equipment related to human exposure to electromagnetic field
BS EN IEC 62311	Assessment of electronic and electrical equipment related to human exposure restrictions for electromagnetic fields (0 Hz to 300 GHz)
2014/35/EU	LVD – Low Voltage Directive
2014/30/EU	EMC – Electromagnetic Compatibility
2011/65/EU	RoHS – Restriction Of The Use Of Certain Hazardous Substances in electrical and electronic equipment
1907/2006/EU	REACH – Registration, Evaluation, Authorisation and Restriction of Chemicals
2014/53/EU	RED – Radio Equipment And Repealing Directive
2019/2020/EU	ERP – Eco design Requirements For Energy-Related Products



Luceco
SLGUCC5W35-01

A

B

C

D

E

F

G

G

5 kWh/1000h



2019/2015

