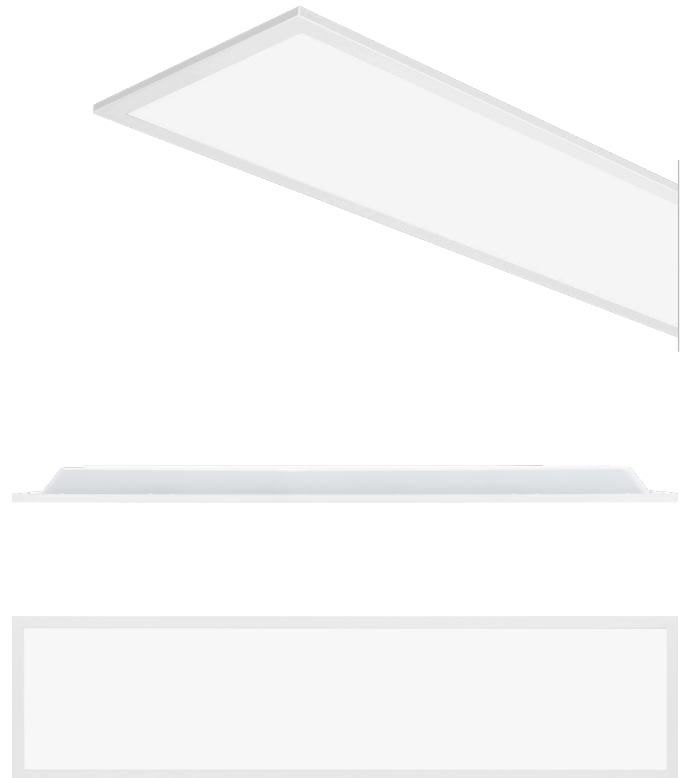
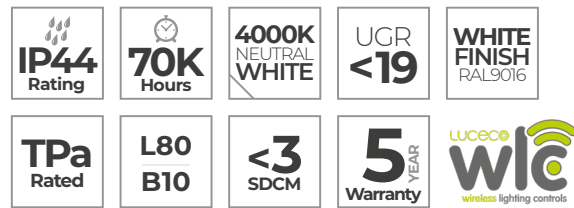


LUXPANEL EXTRA 1200 x 300

Product Features

- Backlit LED Panel with slimline 30mm depth finished in RAL9016 white
- Plug and play ENEC approved loop in-out driver with power change dip switch on fixed output versions
- 1200x300mm white aluminium frame with TPa rated diffuser and UGR19 compliant
- Recessed mounted suitable for use in 15mm or 24mm standard exposed ceiling grids
- Rear safety wire suspension points as standard



CAT NO.	DRIVER	LUMINAIRE LUMENS	WATTAGE	lm/W
LBX312WLS40	Fixed Output	2000 / 2800	14 / 20W	133
LBX312WHS40	Fixed Output	3500 / 4200	24.5 / 30W	132
LBX312W20D40	Digital Dimmable	2000	15W	133
LBX312W28D40	Digital Dimmable	2800	22W	127
LBX312W35D40	Digital Dimmable	3500	26.5W	132
LBX312W42D40	Digital Dimmable	4200	33W	127

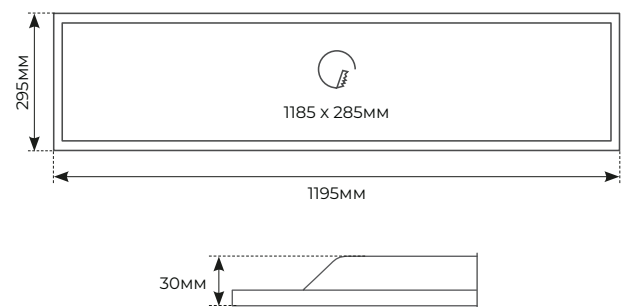
To Specify:

Recessed Luxpanel Extra 1200x300mm LED Panel with efficacy up to 133lm/cw, UGR19 and TPa rated diffuser.

PRODUCT ACCESSORIES	
1200x300 Surface Mounting Frame	LPF312W
1200x300 Plasterboard Recessing Frame	LPF312SCRF
4 point 1.5 Metre Suspension Kit	EBPWSK415

PRODUCT OPTIONS	
Luceco 3 Hour Remote Emergency Pack	LED3EP80
Self-Test Emergency Pack	LED3EP80EST
DALI Addressable Emergency Pack	LED3EP80DED
Luceco Platform Wireless – insert LPW	LBX312W28LPW40
Luceco Elevate Wireless – insert LEW	LBX66W312LEW40

Product Drawing



CAT NO.	WEIGHT	CRI	VOLTAGE	FREQUENCY (Hz)	CURRENT	TEMP RANGE (°C)	AMBIENT TEMP RATED LIFE (°C)
LBX312WLS40	TBC				TBC		
LBX312WHS40	TBC				TBC		
LBX312W20D40	TBC				TBC		
LBX312W28D40	TBC	>80	220-240V	50-60	TBC	-20° - +25°	25
LBX312W35D40	TBC				TBC		
LBX312W42D40	TBC				TBC		

LBX312WLS40
Luminaire Performance

Luminaire Efficiency: **100%**
 Luminaire Efficacy: **133 lm/W**
 Classification: **A50 ±99.6% ±0.4%**
 CIE Flux Codes: **58 86 96 100 100**

UGR 4H 8H (20%, 50%, 70%) **17.1 / 17.6**
 CO / C90:

Luminous Intensity

■ CO / C180 cd / 1000lm --- c90 / c270

LBX312WHS40
Luminaire Performance

Luminaire Efficiency: **100%**
 Luminaire Efficacy: **132 lm/W**
 Classification: **A50 ±99.6% ±0.4%**
 CIE Flux Codes: **58 86 96 100 100**

UGR 4H 8H (20%, 50%, 70%) **17.9 / 18.4**
 CO / C90:

Luminous Intensity

■ CO / C180 cd / 1000lm --- c90 / c270

STANDARD	DESCRIPTION
EN 60598-1	Luminaires – General requirements
EN 60598-2-2	Luminaires – Recessed
EN 60598-2-22	Luminaires – Emergency
EN 61000-3-2	Electromagnetic compatibility (EMC) – Part 3-2: Limits – for harmonic current emissions
EN 61000-3-3	Limits – Limitation of voltage changes, voltage fluctuations and flicker in public low-voltage supply systems, for equipment with rated current ≤ 16 A per phase and not subject to conditional connection
EN 61547	Equipment for general lighting purposes – EMC immunity requirements
EN 55015	Limits and methods of measurement of radio disturbance characteristics of electrical lighting and similar equipment

