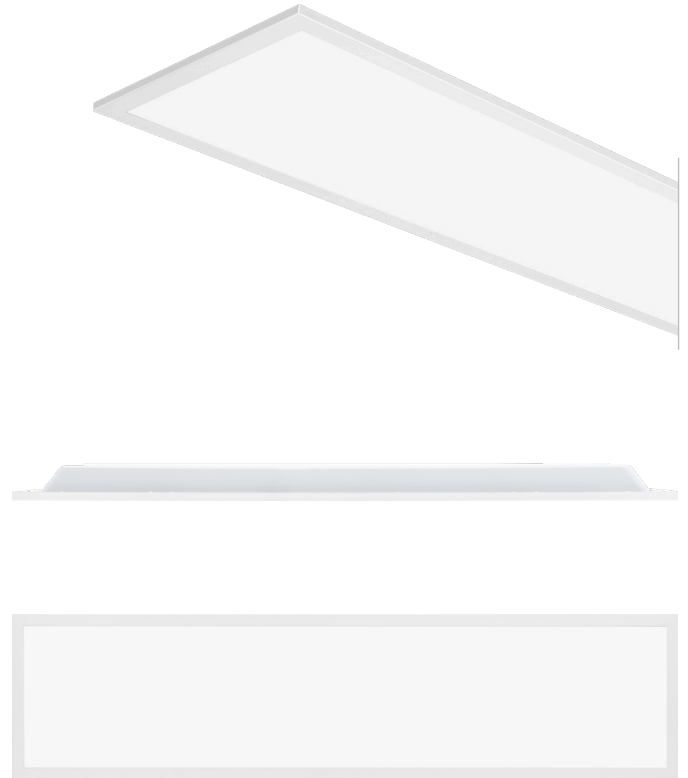
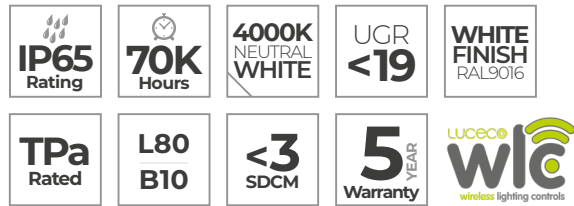


# LUXPANEL EXTRA IP65 1200 x 300

## Product Features

- IP65 rated LED Panel with slimline 30mm depth finished in RAL9016 white
- Plug and play ENEC approved loop in-out driver with power change dip switch on fixed output versions
- 1200x300mm white aluminium frame with TPa rated diffuser and UGR19 compliant
- Recessed mounted suitable for use in 15mm or 24mm standard exposed ceiling grids
- Rear safety wire suspension points as standard



CAT NO.	DRIVER	LUMINAIRE LUMENS	WATTAGE	lm/W
LBX312IPLS40	Fixed Output	2000 / 2800	14 / 20W	133
LBX312IPHS40	Fixed Output	3500 / 4200	24.5 / 30W	132
LBX312IP20D40	Digital Dimmable	2000	15W	133
LBX312IP28D40	Digital Dimmable	2800	22W	127
LBX312IP35D40	Digital Dimmable	3500	26.5W	132
LBX312IP42D40	Digital Dimmable	4200	33W	127

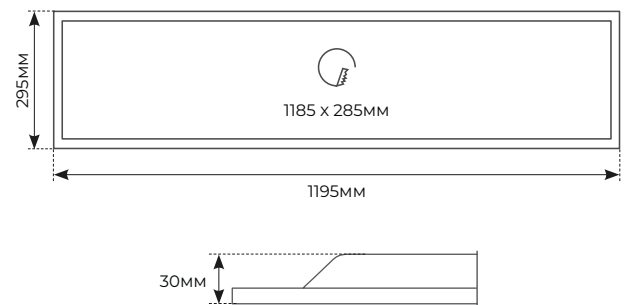
### To Specify:

Recessed Luxpanel Extra 1200x300mm LED Panel with efficacy up to 133lm/cw, UGR19 and TPa rated diffuser.

PRODUCT ACCESSORIES	
1200x300 Surface Mounting Frame	<b>LPF312IP</b>
1200x300 Plasterboard Recessing Frame	<b>LPF312SCRF</b>
4 point 1.5 Metre Suspension Kit	<b>EBPWSK415</b>

PRODUCT OPTIONS	
Luceco 3 Hour Remote Emergency Pack	<b>LED3EP80</b>
Self-Test Emergency Pack	<b>LED3EP80EST</b>
DALI Addressable Emergency Pack	<b>LED3EP80DED</b>
Luceco Platform Wireless – insert <b>LPW</b>	LBX312IP28LPW40
Luceco Elevate Wireless – insert <b>LEW</b>	LBX312IPLEW40

## Product Drawing



CAT NO.	WEIGHT	CRI	VOLTAGE	FREQUENCY (Hz)	CURRENT	TEMP RANGE (°C)	AMBIENT TEMP RATED LIFE (°C)
LBX312IPLS40	TBC				TBC		
LBX312IPHS40	TBC				TBC		
LBX312IP20D40	TBC	>80	220-240V	50-60	TBC	-20° - +25°	25
LBX312IP28D40	TBC						
LBX312IP35D40	TBC						
LBX312IP42D40	TBC						

**LBX312IPLS40**  
**Luminaire Performance**

Luminaire Efficiency: **100%**  
 Luminaire Efficacy: **133 lm/W**  
 Classification: **A50 ±99.6% ±0.4%**  
 CIE Flux Codes: **58 86 96 100 100**  
 UGR 4H 8H (20%, 50%, 70%) **17.1 / 17.6**  
 C0 / C90:

**Luminous Intensity**

■ C0 / C180 cd / 1000lm    --- c90 / c270

**LBX312IPHS40**  
**Luminaire Performance**

Luminaire Efficiency: **100%**  
 Luminaire Efficacy: **132 lm/W**  
 Classification: **A50 ±99.6% ±0.4%**  
 CIE Flux Codes: **58 86 96 100 100**  
 UGR 4H 8H (20%, 50%, 70%) **17.9 / 18.4**  
 C0 / C90:

**Luminous Intensity**

■ C0 / C180 cd / 1000lm    --- c90 / c270

STANDARD	DESCRIPTION
EN 60598-1	Luminaires – General requirements
EN 60598-2-2	Luminaires – Recessed
EN 60598-2-22	Luminaires – Emergency
EN 61000-3-2	Electromagnetic compatibility (EMC) – Part 3-2: Limits – for harmonic current emissions
EN 61000-3-3	Limits – Limitation of voltage changes, voltage fluctuations and flicker in public low-voltage supply systems, for equipment with rated current ≤ 16 A per phase and not subject to conditional connection
EN 61547	Equipment for general lighting purposes – EMC immunity requirements
EN 55015	Limits and methods of measurement of radio disturbance characteristics of electrical lighting and similar equipment

