



Technical Data

45 Amp Double Pole Switch

Brief product description:

The BG Screwless Flatplate range has a slimline design with a clip on/off front plate for a sleek and screwless finish. The faceplates are simple to remove when decorating for a practical and convenient solution.

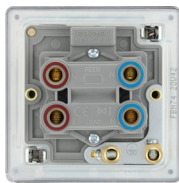
Features:

- Screwless front plate clips on and off easily and has a sleek flat profile
- Easy to install, supplied with fixing screws and installation instructions
- Flush LED power indicator
- Colour coded terminals with backed out screws for fast installation
- Double pole for peace of mind and safer installation
- Twin earth for high integrity circuits
- Fixed integrated plastic gasket to protect metal edges from moisture

Product Images



FBN74



FBS74



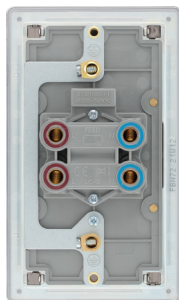
FPC74



FFB74



FBN72



FBS72



FPC72



FFB72



Technical Specifications

Standard(s)	BS EN 60669-1
Rating	45 Amp 250V AC
Switch Type	Double pole
Terminal Capacity	4 x 4.0mm ² 3 x 6.0mm ² 1 x 16.0mm ²
RoHS Directive	Yes
WEEE Directive	Yes
Mounting Box Depth (Min)	47mm
Fixing Centres	60.3mm (Fxx74 products) 120.6mm vertical (Fxx72 products)

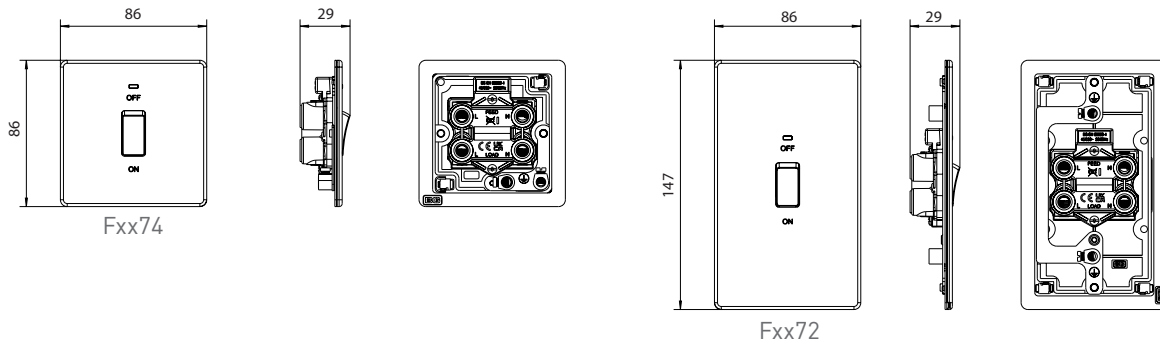


Intertek
Lic No.1012



45 Amp Double Pole Switch

Line Diagrams



Packaging Information

Cat No.	Description	Packaging Type			Pack Quantity			Barcode		
		Product	Inner Box	Outer Box	Each	Inner Box	Outer Box	Individual	Inner Box	Outer Box
FBN72	45A RECT SW - BN	Eco Blister	Printed Box	Printed Box	1	5	50	5050765006873	5050765162319	5050765152037
FBS72	45A RECT SW - BS	Eco Blister	Printed Box	Printed Box	1	5	50	5050765006385	5050765162890	5050765152457
FFB72	45A RECT SW - FB	Eco Blister	Printed Box	Printed Box	1	5	50	5050765241281	5050765241298	5050765241304
FPC72	45A RECT SW - PC	Eco Blister	Printed Box	Printed Box	1	5	50	5050765005456	5050765163910	5050765153195
FBN74	45A SQ SW BN	Eco Blister	Printed Box	Printed Box	1	5	50	5050765006880	5050765162326	5050765164368
FBS74	45A SQ SW BS	Eco Blister	Printed Box	Printed Box	1	5	50	5050765006392	5050765162906	5050765152464
FFB74	45A SQ SW FB	Eco Blister	Printed Box	Printed Box	1	5	50	5050765238144	5050765238335	5050765238526
FPC74	45A SQ SW PC	Eco Blister	Printed Box	Printed Box	1	5	50	5050765005463	5050765163927	5050765153201

Colour Reference:

BN = Black Nickel, BS = Brushed Steel, FB = Matt Black, PC = Polished Chrome

Weights & Dimensions

Cat No.	Description	Dimensions (H x W x D) cm				Weight (kg)				CBM (m ³)
		Unpacked Product	Packed Product	Inner Box	Outer Box	Unpacked Product	Packed Product	Inner Box	Outer Box	Outer Box
F**72	45A RECTANGULAR SW	14.6 x 8.6 X 2.9	15.3 x 18.0 x 3.3	18.8 x 10.9 x 20.5	21.6 x 38.5 x 55.8	0.239	0.268	1.42	14.71	0.04640
F**74	45A SQUARE SW	8.6 x 8.6 x 2.9	15.3 x 12.0 x 3.3	12.7 x 11.7 x 20.7	21.9 x 26.3 x 59.8	0.162	0.183	0.98	10.18	0.03444