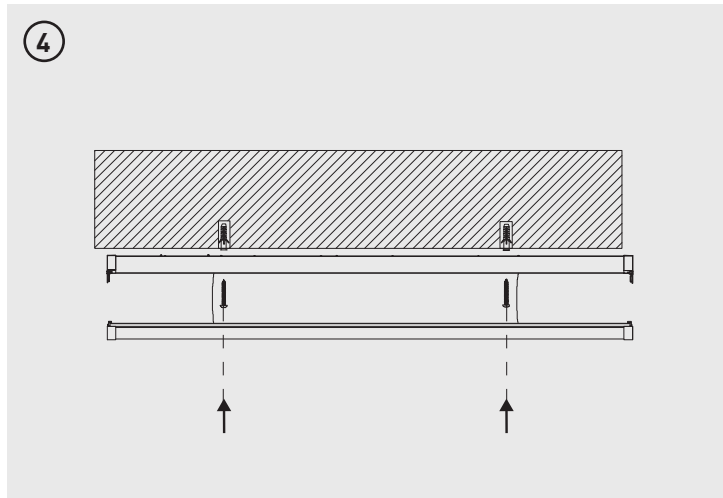
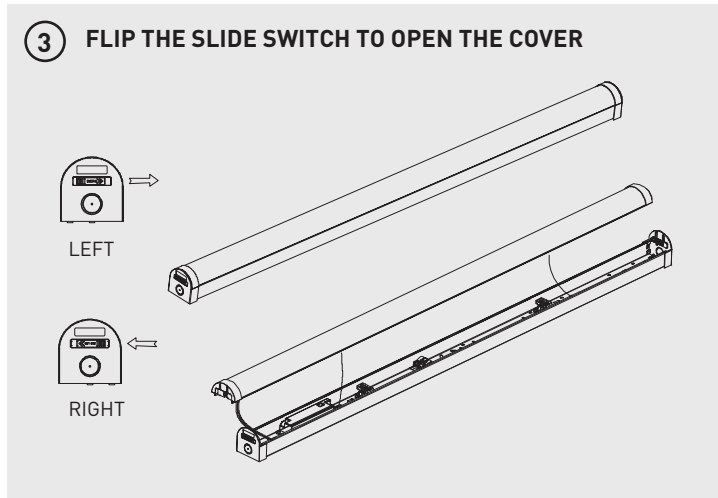
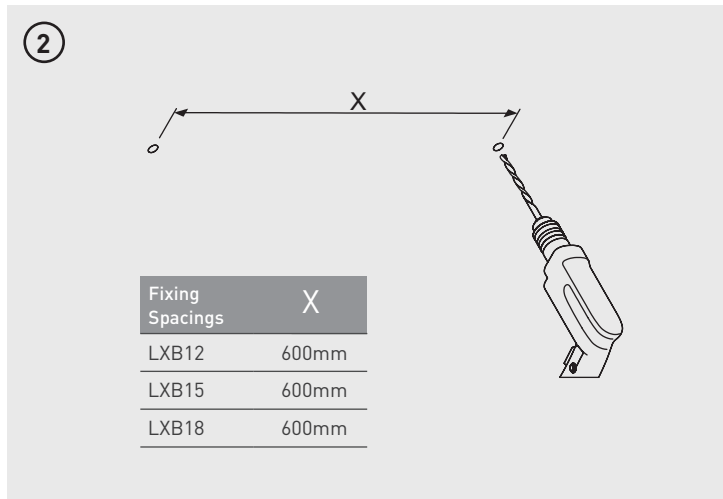
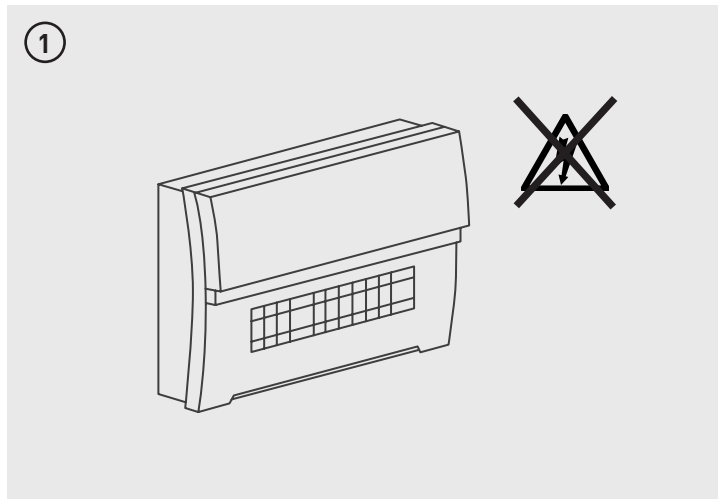


LUXPACK ESSENCE

LXB12WL40-06 / LXB15WL40-06 / LXB15WLCC-06 / LXB18WL40-06



| | | |
|---|--|--|
| <p>ASSEMBLY AND INSTALLATION EN</p> <ul style="list-style-type: none"> • Luminaire suitable for surface mounting • This product must be disconnected before insulation resistance testing of the lighting circuit | <p>ZUSAMMENBAU UND INSTALLATION DE</p> <ul style="list-style-type: none"> • Diese Leuchte besteht aus Polycarbonat und ist mit Edelstahlklammern versehen. Achten Sie darauf, dass das Produkt für den Installationsbereich geeignet ist • Vor der Isolationswiderstandsprüfung muss das Produkt von der Spannungsversorgung getrennt werden | <p>MONTAJE E INSTALACIÓN ES</p> <ul style="list-style-type: none"> • Luminaria apta para montaje de superficie • Este producto debe ser desconectado antes de ensayar, en el circuito eléctrico, la resistencia de aislamiento |
| <p>MONTAGGIO E INSTALLAZIONE IT</p> <ul style="list-style-type: none"> • Apparecchio indicato per il montaggio a superficie • Questo prodotto deve essere scollegato prima del test di resistenza di isolamento del circuito di illuminazione | <p>ASSEMBLAGE ET INSTALLATION FR</p> <ul style="list-style-type: none"> • Luminaire pour installation en applique • Ce produit doit être déconnecté avant tout test de résistance du circuit d'éclairage |  <p>2 x Screws 2 x Raw Plugs</p> |



Tech Help Line

UK - **0330 0249 279**
 Non UK - **+44 (0)1952 238 100**
 Supplied by LUCECO
 Stafford Park 1, Telford, Shropshire,
 England, TF3 3BD

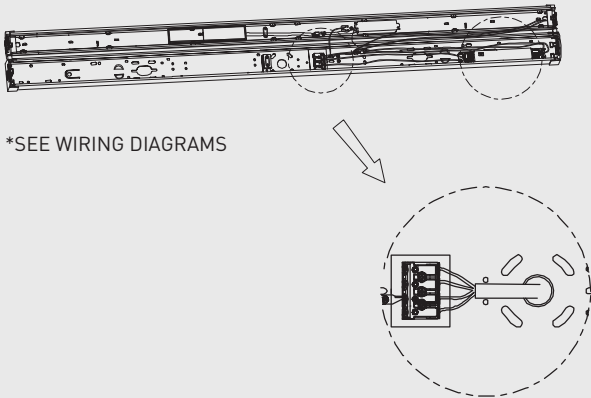
Visit our website at www.luceco.com

Servicio de asistencia telefónica

UK - **0330 0249 279**
 Non UK - **+34 93 829 55 74**
 (EU) Luceco SE
 C/ Bobinadora 1-5
 08302 Mataró Spain

Visite nuestra web en www.luceco.com

5



*SEE WIRING DIAGRAMS

6

POWER CHANGE SETTING
(FACTORY SET TO LOW OUTPUT)

COLOUR TEMPERATURE CHANGE (ECL150LCC-03)

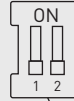


LOW OUTPUT
(1200MM 2400LM 20W)
(1500MM 3000LM 25W)
(1800MM 4200LM 35W)

W = WARM WHITE 3000K

NW = NEUTRAL WHITE 4000K

CW = COOL WHITE 6000K



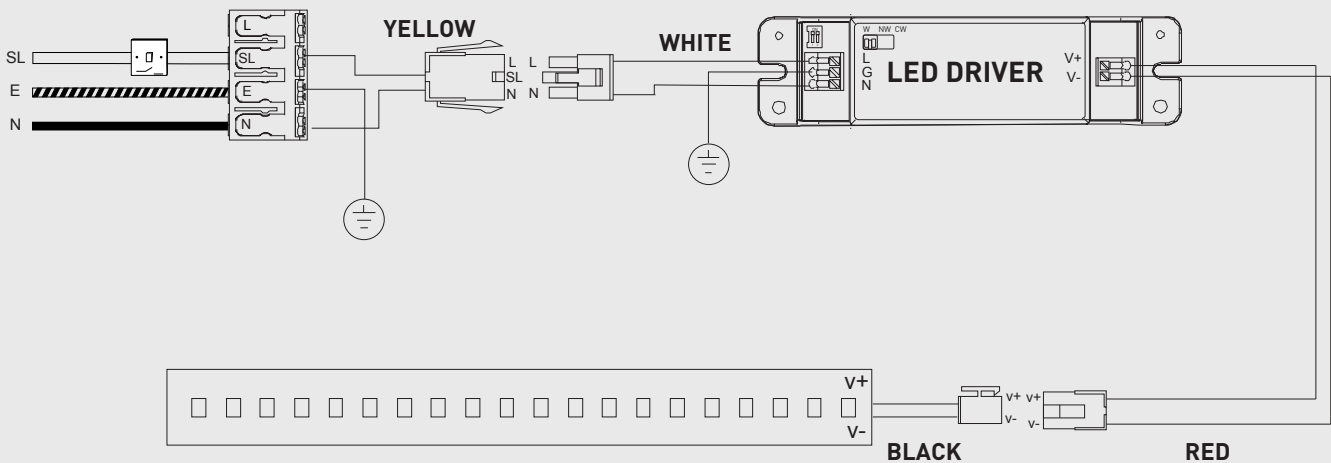
HIGH OUTPUT
(1200MM 4800LM 40W)
(1500MM 6000LM 50W)
(1800MM 8400LM 70W)

W NW CW



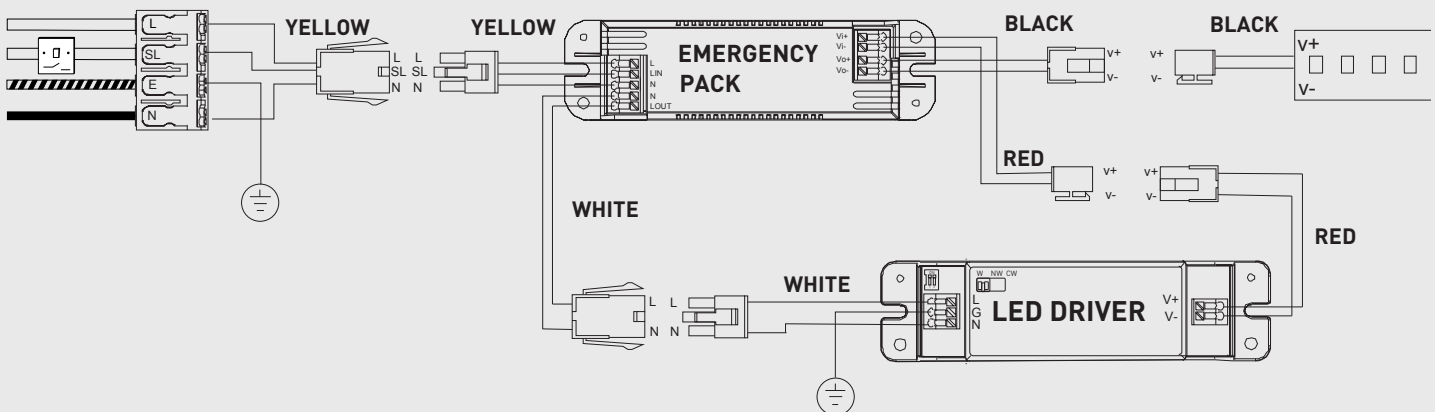
7

STANDARD WIRING



8

STANDARD + EMERGENCY (UEM2W-01) WIRING



Tech Help Line

UK - 0330 0249 279

Non UK - +44 (0)1952 238 100

Supplied by LUCECO
Stafford Park 1, Telford, Shropshire,
England, TF3 3BD

Visit our website at www.luceco.com

Servicio de asistencia telefónica

UK - 0330 0249 279

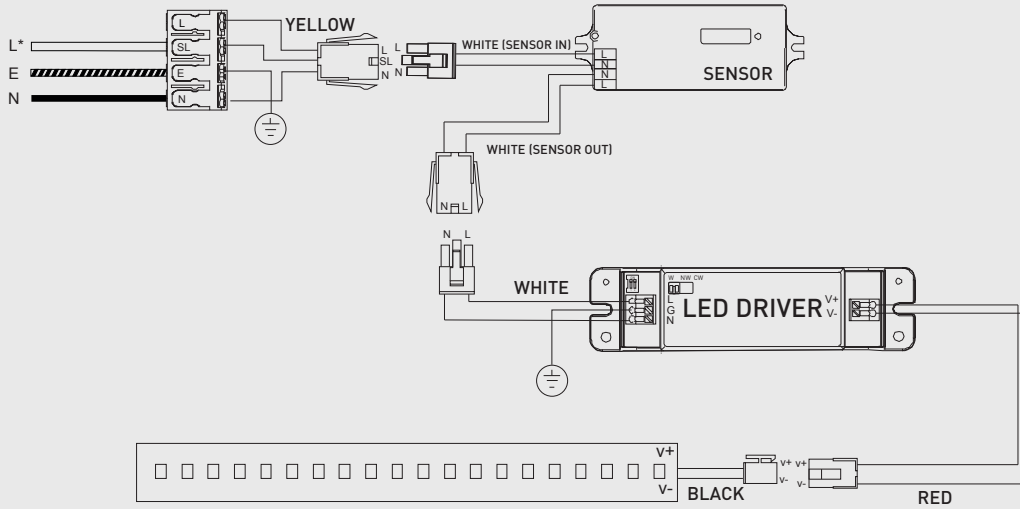
Non UK - +34 93 829 55 74

(EU) Luceco SE
C/ Bobinadora 1-5
08302 Mataró Spain

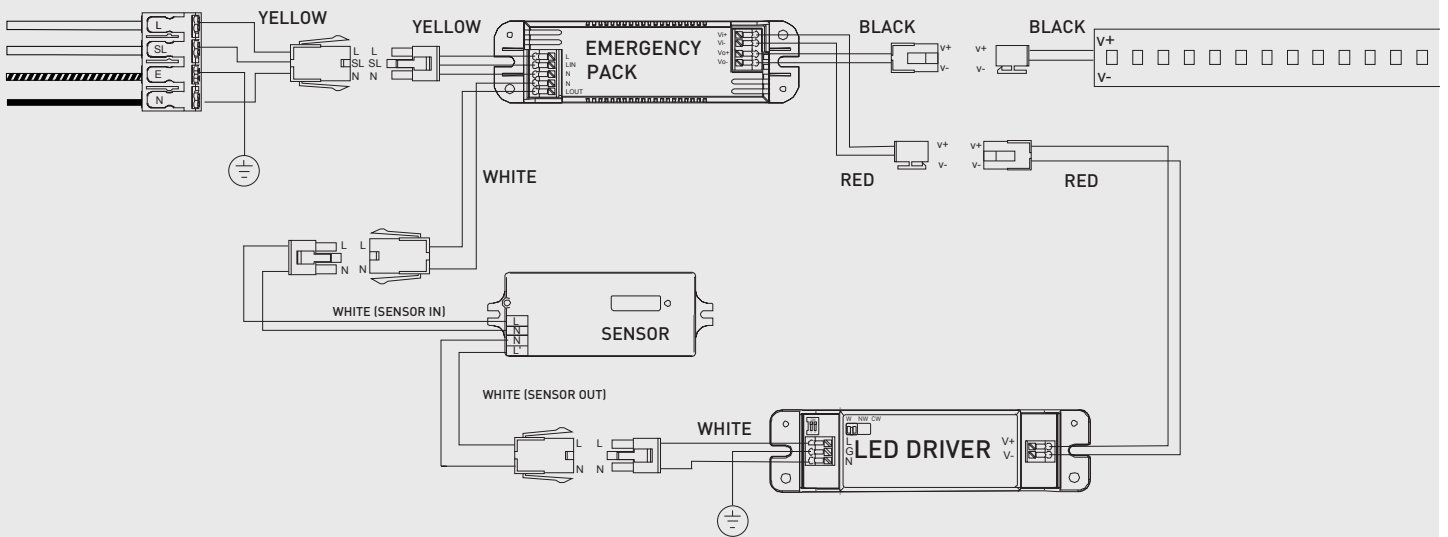
Visite nuestra web en www.luceco.com

9 STANDARD + MICROWAVE (UMWS-01) WIRING

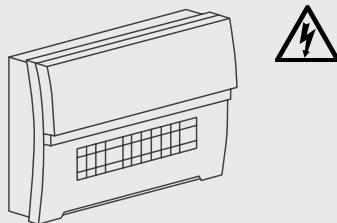
*WIRE LIVE TO SL



10 STANDARD + EMERGENCY (UEM2W-01) + MICROWAVE (UMWS-01) WIRING



11



Tech Help Line

UK - 0330 0249 279

Non UK - +44 (0)1952 238 100

Supplied by LUCECO
Stafford Park 1, Telford, Shropshire,
England, TF3 3BD

Visit our website at www.luceco.com

Servicio de asistencia telefónica

UK - 0330 0249 279

Non UK - +34 93 829 55 74

(EU) Luceco SE
C/ Bobinadora 1-5
08302 Mataró Spain

Visite nuestra web en www.luceco.com