

ATLAS EXTRA

Product Features

- Decorative external bulkhead with hooded or clearface options
- High impact die-cast housing in in RAL 7016 anthracite grey
- Surface mounted luminaire with rear central and top cable entry points
- Emergency, colour temperature and photocell options all available



| CAT NO. | TYPE | DRIVER | LUMINAIRE LUMENS | WATTAGE | EFFICACY Lm/cW | COLOUR TEMP |
|----------|-----------|-------------------------|------------------|-----------|----------------|-------------|
| LBXHLS40 | Hooded | Fixed Output | 1250 / 2100 | 12W / 19W | 105 / 110 | 4000K |
| LBXHLE40 | Hooded | Fixed Output, Emergency | 1250 / 2100 | 12W / 19W | 105 / 110 | 4000K |
| LBXHLS27 | Hooded | Fixed Output | 1200 / 1800 | 12W / 19W | 100 / 95 | 2700K |
| LBXHLE27 | Hooded | Fixed Output, Emergency | 1200 / 1800 | 12W / 19W | 100 / 95 | 2700K |
| LBXCLS40 | Clearface | Fixed Output | 1250 / 2100 | 12W / 19W | 105 / 110 | 4000K |
| LBXCLE40 | Clearface | Fixed Output, Emergency | 1250 / 2100 | 12W / 19W | 105 / 110 | 4000K |
| LBXCLS27 | Clearface | Fixed Output | 1200 / 1800 | 12W / 19W | 100 / 95 | 2700K |
| LBXCLE27 | Clearface | Fixed Output, Emergency | 1200 / 1800 | 12W / 19W | 100 / 95 | 2700K |

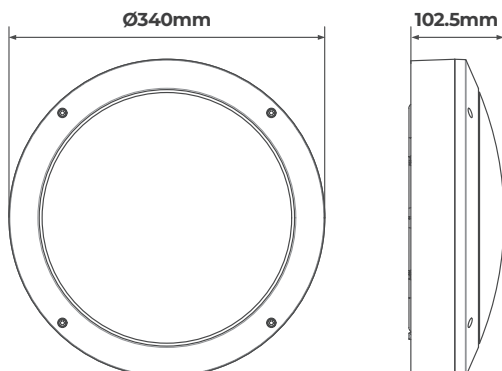
PRODUCT OPTIONS

Photocell Insert **PC**, eg. LBXHLS40**PC**

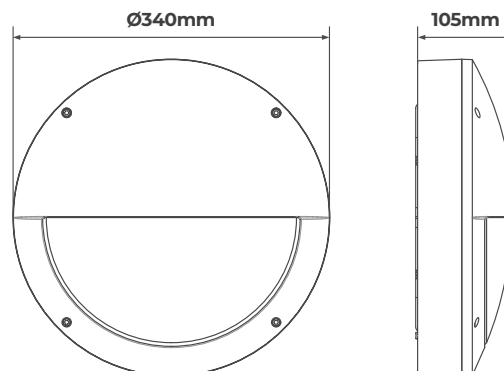
Emergency + Photocell Insert **PC**, eg. LBXHLE40**PC**

Product Drawing

Clearface



Hooded



| CAT NO. | WEIGHT (kg) | CRI | FREQUENCY (Hz) | SDCM | IK RATING | TEMP RANGE (°C) | AMBIENT TEMP RATED LIFE (°C) | L/B RATED LIFE |
|-----------|-------------|-----|----------------|------|-----------|-----------------|------------------------------|----------------|
| LBHXHLS40 | 2.5 | >80 | 50-60 | <3 | IK08 | -20 +25 | 25 | L70 / B50 |
| LBHXHLE40 | 2.7 | >80 | 50-60 | <3 | IK08 | -20 +25 | 25 | L70 / B50 |
| LBHXHLS27 | 2.5 | >80 | 50-60 | <3 | IK08 | -20 +25 | 25 | L70 / B50 |
| LBHXHLE27 | 2.7 | >80 | 50-60 | <3 | IK08 | -20 +25 | 25 | L70 / B50 |
| LBHXCLS40 | 2.4 | >80 | 50-60 | <3 | IK08 | -20 +25 | 25 | L70 / B50 |
| LBHXCLE40 | 2.6 | >80 | 50-60 | <3 | IK08 | -20 +25 | 25 | L70 / B50 |
| LBHXCLS27 | 2.4 | >80 | 50-60 | <3 | IK08 | -20 +25 | 25 | L70 / B50 |
| LBHXCLE27 | 2.6 | >80 | 50-60 | <3 | IK08 | -20 +25 | 25 | L70 / B50 |

LBHXHLS40
Luminaire Performance
 Light Output Ratio: 100%
 Luminaire Efficacy: 104.17 lm/W
 Light Distribution: A40 ±98.5% ±1.5%
 CIE Flux Codes: 46 76 93 98 100
 UGR 4H 8H
 (20%, 50%, 70%) C0 / C90: 26.6 / 23.9

Luminous Intensity

150° 180° 150°
 120° 120°
 90° 90°
 60° 60°
 30° 0° 30°
 ■ C0 / C180 cd / 100lm c90 / c270

LBHXCLS40
Luminaire Performance
 Light Output Ratio: 100%
 Luminaire Efficacy: 104.17 lm/W
 Light Distribution: A40 ±98.4% ±1.6%
 CIE Flux Codes: 45 76 93 98 100
 UGR 4H 8H
 (20%, 50%, 70%) C0 / C90: 23.5 / 23.5

Luminous Intensity

150° 180° 150°
 120° 120°
 90° 90°
 60° 60°
 30° 0° 30°
 ■ C0 / C180 cd / 100lm c90 / c270

| STANDARD | DESCRIPTION |
|---------------|--|
| EN 60598-1 | Luminaires – General requirements |
| EN 60598-2-1 | Luminaires – Fixed general purpose |
| EN 60598-2-22 | Luminaires – Emergency |
| EN 61000-3-2 | Electromagnetic compatibility (EMC) – Part 3-2: Limits - for harmonic current emissions |
| EN 61000-3-3 | Limits - Limitation of voltage changes, voltage fluctuations and flicker in public low-voltage supply systems, for equipment with rated current ≤ 16 A per phase and not subject to conditional connection |
| EN 61547 | Equipment for general lighting purposes – EMC immunity requirements |
| EN 55015 | Limits and methods of measurement of radio disturbance characteristics of electrical lighting and similar equipment |

