

ATLAS EXTRA

Product Features

- Decorative external bulkhead with hooded or clearface options
- High impact die-cast housing in in RAL 7016 anthracite grey
- Surface mounted luminaire with rear central and top cable entry points
- Emergency, colour temperature and photocell options all available



CAT NO.	TYPE	DRIVER	LUMINAIRE LUMENS	WATTAGE	EFFICACY Lm/cW	COLOUR TEMP
LBXHLS40	Hooded	Fixed Output	1250 / 2100	12W / 19W	105 / 110	4000K
LBXHLE40	Hooded	Fixed Output, Emergency	1250 / 2100	12W / 19W	105 / 110	4000K
LBXHLS27	Hooded	Fixed Output	1250 / 2100	12W / 19W	105 / 110	2700K
LBXHLE27	Hooded	Fixed Output, Emergency	1250 / 2100	12W / 19W	105 / 110	2700K
LBXCLS40	Clearface	Fixed Output	1250 / 2100	12W / 19W	105 / 110	4000K
LBXCLE40	Clearface	Fixed Output, Emergency	1250 / 2100	12W / 19W	105 / 110	4000K
LBXCLS27	Clearface	Fixed Output	1250 / 2100	12W / 19W	105 / 110	2700K
LBXCLE27	Clearface	Fixed Output, Emergency	1250 / 2100	12W / 19W	105 / 110	2700K

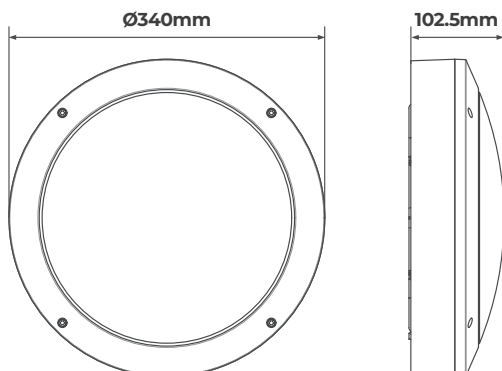
PRODUCT OPTIONS

Photocell Insert **PC**, eg. LBXHLS40**PC**

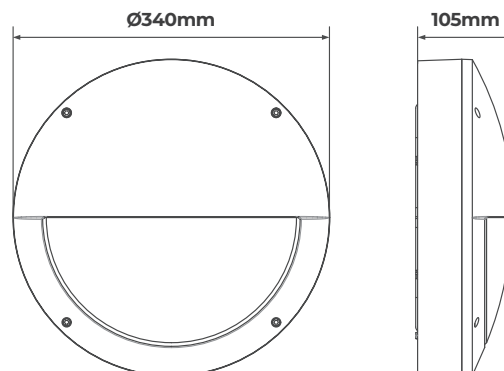
Emergency + Photocell Insert **PC**, eg. LBXHLE40**PC**

Product Drawing

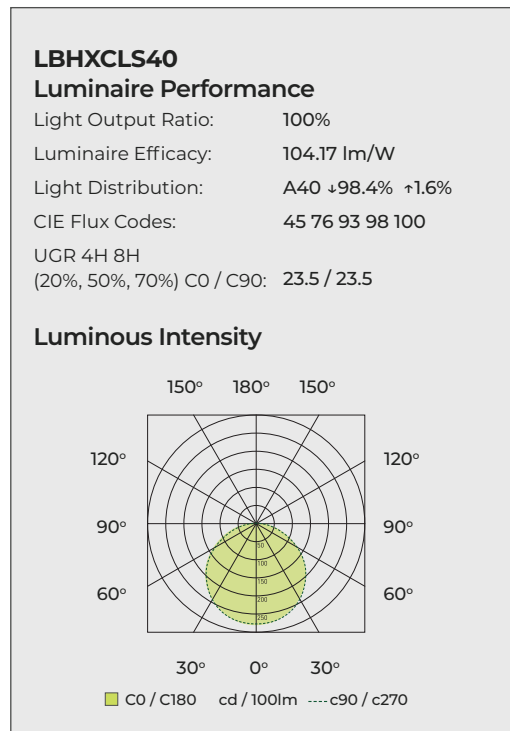
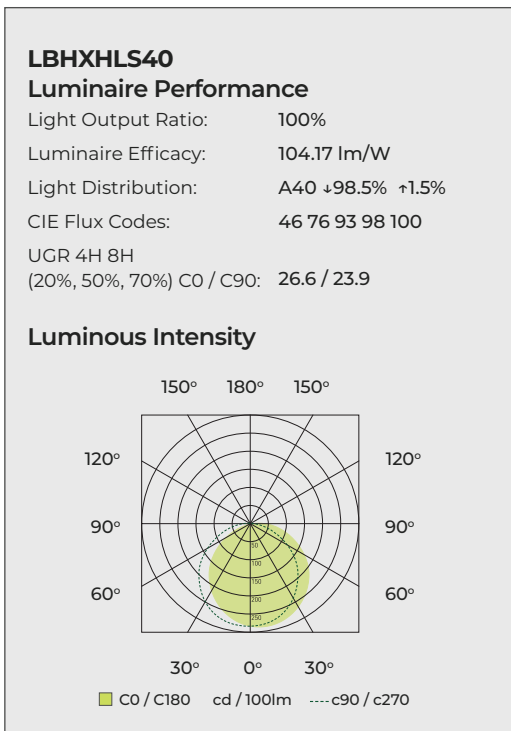
Clearface



Hooded



CAT NO.	WEIGHT (kg)	CRI	FREQUENCY (Hz)	SDCM	IK RATING	TEMP RANGE (°C)	AMBIENT TEMP RATED LIFE (°C)	L/B RATED LIFE
LBHXHLS40	2.5	>80	50-60	<3	IK08	-20 +25	25	L70 / B50
LBHXHLE40	2.7	>80	50-60	<3	IK08	-20 +25	25	L70 / B50
LBHXHLS27	2.5	>80	50-60	<3	IK08	-20 +25	25	L70 / B50
LBHXHLE27	2.7	>80	50-60	<3	IK08	-20 +25	25	L70 / B50
LBHXCLS40	2.4	>80	50-60	<3	IK08	-20 +25	25	L70 / B50
LBHXCLE40	2.6	>80	50-60	<3	IK08	-20 +25	25	L70 / B50
LBHXCLS27	2.4	>80	50-60	<3	IK08	-20 +25	25	L70 / B50
LBHXCLE27	2.6	>80	50-60	<3	IK08	-20 +25	25	L70 / B50



STANDARD	DESCRIPTION
EN 60598-1	Luminaires – General requirements
EN 60598-2-1	Luminaires – Fixed general purpose
EN 60598-2-22	Luminaires – Emergency
EN 61000-3-2	Electromagnetic compatibility (EMC) – Part 3-2: Limits - for harmonic current emissions
EN 61000-3-3	Limits - Limitation of voltage changes, voltage fluctuations and flicker in public low-voltage supply systems, for equipment with rated current ≤ 16 A per phase and not subject to conditional connection
EN 61547	Equipment for general lighting purposes – EMC immunity requirements
EN 55015	Limits and methods of measurement of radio disturbance characteristics of electrical lighting and similar equipment

