



Technical Data

45 Amp Double Pole Switch

Brief product description:

The BG Nexus Metal range has a sleek and slim profile with softly rounded edges that portrays a premium look, and is available in a wide range of finishes to cater for all tastes.

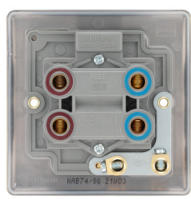
Features:

- Sleek and slim profile with softly rounded edges
- Easy to install, supplied with fixing screws and installation instructions
- Flush LED power indicator
- Colour coded terminals with backed out screws for fast installation
- Double pole for peace of mind and safer installation
- Twin earth for high integrity circuits
- Fixed integrated plastic gasket to protect metal edges from moisture
- Colour matched fixing screws

Product Images



NAB74



NBN74



NBS74



NPC74



NFB74



NBN72



NBS72



NPC72



NFB72





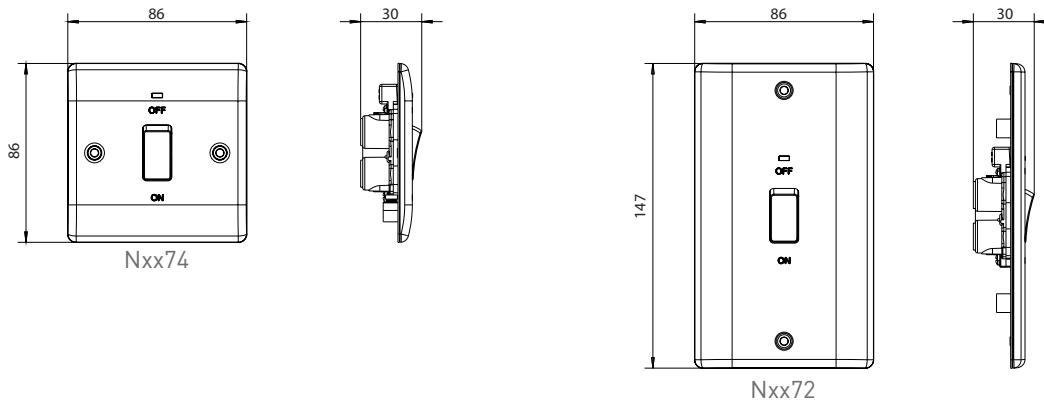
45 Amp Double Pole Switch

Technical Specifications

Standard(s)	BS EN 60669-1
Rating	45 Amp 250V AC
Switch Type	Double pole
Terminal Capacity	4 x 4.0mm ² 3 x 6.0mm ² 1 x 16.0mm ²
RoHS Directive	Yes
WEEE Directive	Yes
Mounting Box Depth (Min)	47mm
Fixing Centres	60.3mm (Nxx74 products) 120.6mm vertical (Nxx72 products)



Line Diagrams



Packaging Information

Cat No.	Description	Packaging Type			Pack Quantity			Barcode		
		Product	Inner Box	Outer Box	Each	Inner Box	Outer Box	Individual	Inner Box	Outer Box
NAB72	45A RECT SW - BN	Eco Blister	Printed Box	Printed Box	1	5	50	5050765248082	5050765248099	5050765248105
NBN72	45A RECT SW - BN	Eco Blister	Printed Box	Printed Box	1	5	50	5050765023320	5050765023696	5050765024068
NBS72	45A RECT SW - BS	Eco Blister	Printed Box	Printed Box	1	5	50	5050765019019	5050765019385	5050765019750
NFB72	45A RECT SW - FB	Eco Blister	Printed Box	Printed Box	1	5	50	5050765241649	5050765241656	5050765241663
NPC72	45A RECT SW - PC	Eco Blister	Printed Box	Printed Box	1	5	50	5050765020121	5050765020497	5050765020862
NAB74	45A SQ SW - AB	Eco Blister	Printed Box	Printed Box	1	5	50	5050765044516	5050765166461	5050765168960
NBN74	45A SQ SW - BN	Eco Blister	Printed Box	Printed Box	1	5	50	5050765023337	5050765023702	5050765024075
NBS74	45A SQ SW - BS	Eco Blister	Printed Box	Printed Box	1	5	50	5050765019026	5050765019392	5050765019767
NFB74	45A SQ SW - FB	Eco Blister	Printed Box	Printed Box	1	5	50	5050765239950	5050765240116	5050765240277
NPC74	45A SQ SW - PC	Eco Blister	Printed Box	Printed Box	1	5	50	5050765020138	5050765020503	5050765020879

Colour Reference:

AB = Antique Brass, BS = Brushed Steel, BN = Black Nickel, FB = Matt Black, PC = Polished Chrome

Weights & Dimensions

Cat No.	Description	Dimensions (H x W x D) cm				Weight (kg)				CBM (m ³)
		Unpacked Product	Packed Product	Inner Box	Outer Box	Unpacked Product	Packed Product	Inner Box	Outer Box	Outer Box
N**74	45A SQUARE SW	8.6 x 8.6 x 3.0	15.3 x 12.0 x 3.3	12.7 x 11.7 x 20.7	22.6 x 26.3 x 60.8	0.139	0.160	0.87	9.03	0.03614
N**72	45A RECTANGULAR SW	8.6 x 14.7 x 3.0	15.3 x 18.0 x 3.3	18.8 x 10.9 x 20.5	22.6 x 38.8 x 56.8	0.200	0.229	1.22	12.76	0.04981

British General Helpline
03300 249 279

Supplied by
Luceco PLC
Stafford Park 1 Telford TF3 3BD ENGLAND

Visit our website at
www.bgelectrical.uk