



# Technical Data

## Round Pin Socket Outlets

### Brief product description:

The BG Nexus Metal range has a sleek and slim profile with softly rounded edges that portrays a premium look, and is available in a wide range of finishes to cater for all tastes.

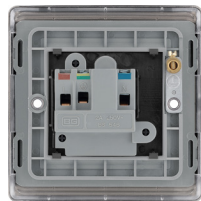
### Features:

- Sleek and slim profile with softly rounded edges
- Power socket for round pin plugs
- Fixed integrated plastic gasket to protect metal edges from moisture
- Colour matched fixing screws
- Angled in-line terminals with backed out screws for fast installation
- Easy to install, supplied with fixing screws and installation instructions

### Product Images



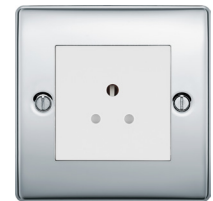
NBN28B



NBS28G



NFB28B



NPC28W



NBN29B



NBS29G



NFB29B



NPC29W



NBS99G



NBS99W



NPC99W



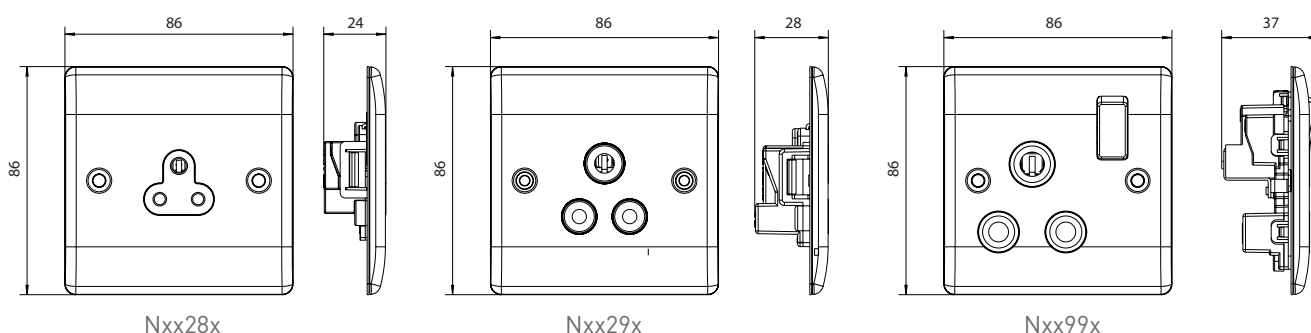
# Round Pin Socket Outlets

## Technical Specifications

Standard(s)	BS 546
Voltage	250V AC
Terminal Capacity	4 x 1.0mm <sup>2</sup> 3 x 1.5mm <sup>2</sup> , 1 x 4.0mm <sup>2</sup>
RoHS Directive	Yes
WEEE Directive	Yes
Mounting Box Depth (Min)	25mm
Fixing Centres	60.3mm



## Line Diagrams



## Packaging Information

Cat No.	Description	Packaging Type			Pack Quantity			Barcode		
		Product	Inner Box	Outer Box	Each	Inner Box	Outer Box	Individual	Inner Box	Outer Box
NAB28B	2A RND PIN SKT - AB	Bag - Euro Module	-	-	1	-	-	5050765253949	-	-
NBN28B	2A RND PIN SKT - BN	Bag - Euro Module	-	-	1	-	-	5050765023214	-	-
NBS28G	2A RND PIN SKT - BS	Eco Blister	Printed Box	Printed Box	1	5	50	5050765018906	5050765019279	5050765019644
NFB28B	2A RND PIN SKT - FB	Bag - Euro Module	-	-	1	-	-	5050765244800	-	-
NPC28W	2A RND PIN SKT - PC	Bag - Euro Module	-	-	1	-	-	5050765020015	-	-
NAB29B	5A RND PIN SKT - AB	Bag - Euro Module	-	-	1	-	-	5050765253956	-	-
NBN29B	5A RND PIN SKT - BN	Eco Blister	Printed Box	Printed Box	1	5	50	5050765023221	5050765023597	5050765023962
NBS29G	5A RND PIN SKT - BS	Eco Blister	Printed Box	Printed Box	1	5	50	5050765018913	5050765019286	5050765019651
NFB29B	5A RND PIN SKT - FB	Eco Blister	Printed Box	Printed Box	1	5	50	5050765241465	5050765241472	5050765241489
NPC29W	5A RND PIN SKT - PC	Eco Blister	Printed Box	Printed Box	1	5	50	5050765020022	5050765020398	5050765020763
NBS99G	15A RND PIN SKT - BS (GRY)	Eco Blister	Printed Box	Printed Box	1	5	50	5050765018920	5050765019293	5050765019668
NBS99W	15A RND PIN SKT - BS (WH)	Eco Blister	Printed Box	Printed Box	1	5	50	5050765028486	5050765028493	5050765028509
NPC99W	15A RND PIN SKT - PC	Eco Blister	Printed Box	Printed Box	1	5	50	5050765020039	5050765020404	5050765020770

### Colour Reference:

AB = Antique Brass, BS = Brushed Steel, BN = Black Nickel, FB = Matt Black, PC = Polished Chrome

## Weights & Dimensions

Cat No.	Description	Dimensions (H x W x D) cm				Weight (kg)				CBM (m <sup>3</sup> )
		Unpacked Product	Packed Product	Inner Box	Outer Box	Unpacked Product	Packed Product	Inner Box	Outer Box	Outer Box
N**28G	2A ROUND PIN SKT (BLISTER)	8.6 x 8.6 x 2.4	15.3 x 12.0 x 3.2	12.7 X 10.4 X 20.7	22.6 X 26.3 X 53.3	0.100	0.121	0.66	6.98	0.03168
N**28B	5A ROUND PIN SKT (BAG)	8.6 x 8.6 x 2.8	9.0 x 9.2 x 3.3	-	-	0.090	0.098	-	-	-
N**29G	5A ROUND PIN SKT	8.6 x 8.6 x 2.8	15.3 x 12.0 x 3.3	12.7 X 11.7 X 20.7	22.6 x 26.3 x 60.8	0.100	0.121	0.67	7.08	0.03614
N**99G	15A ROUND PIN SKT	8.6 x 8.6 x 3.7	15.3 x 12.0 x 4.2	12.7 X 13.8 X 20.7	22.4 X 28.5 X 64.8	0.143	0.164	0.89	9.23	0.04137

British General Helpline  
**03300 249 279**

Supplied by  
**Luco PLC**  
Stafford Park 1 Telford TF3 3BD ENGLAND

Visit our website at  
**www.bgelectrical.uk**