

## LINEAL PIR SENSOR

### Product Features

- Inline PIR detector designed for mounting on Batters, Non-Corrosives or other products with 20mm entry
- Unique angled design to maximise detection sensitivity
- Polycarbonate housing supplied with 1 metre 3 core cable
- 10 metre max. recommended installation height
- Dip switch settings for sensitivity, time and photocell/dusk till dawn functions, infrared remote also available
- Supplied with adaptors to suit recessed gland entry



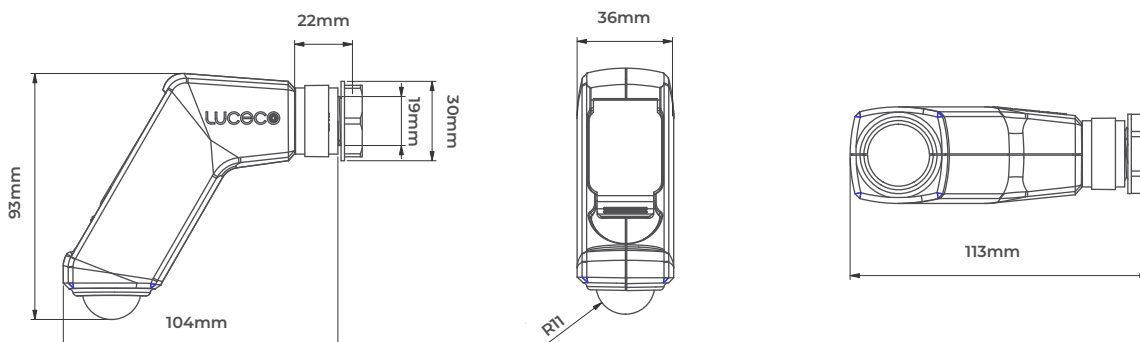
CAT NO.	DESCRIPTION
LNPIRBIP65	Switching PIR

PRODUCT SPECIFICATION	
Power Source	110-277V AC
Power Frequency	50-60Hz
Rated Load	Max Load 400W 220-277V / 200W 110-127V
Max. Load	1.8A
Detection	120° X 360°
Time Setting	10 Sec - 30min Adjustable
Light Control	10-2000 Lux-Disabled Adjustable
Working Temperature Power	-10°C to +40
Installation Height	10M Maximum
Detection Distance	14M (+/-7M) at 10M Height
Power Consumption	<0.5W

### Product Accessories

CAT NO.	DESCRIPTION
LNPIRREM	Infrared Remote Control with Settings

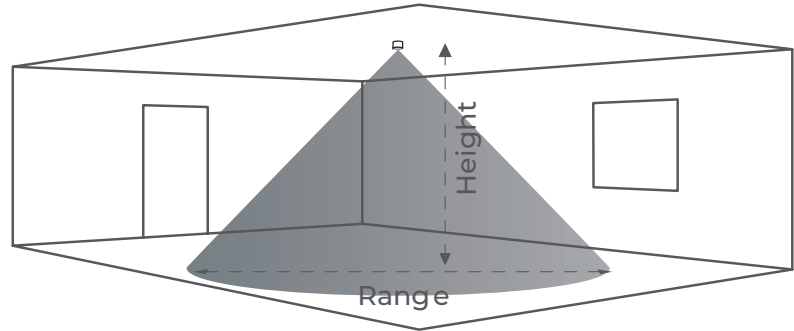
### Product Drawing



## Detection Pattern

HEIGHT	RANGE
3M	7 Metres
5M	11 Metres
10M	14 Metres

High < Sensitivity > Low



## Dip Switch Settings

### Sensitivity Setting

	1	2	3	
I	●	●	●	100%
II	●	○	●	75%
III	○	○	●	50%
IV	○	●	○	25%
V	●	○	○	10%

### Time Setting

	4	5	6	7	
I	●	●	●	●	30min
II	○	○	○	●	20min
III	○	○	●	○	6min
IV	○	●	○	○	90s
V					30s
VI					10s

### Light Control Setting

	8	9	10	
LUX1	○	○	○	10LUX
LUX2	○	○	●	30LUX
LUX3	○	●	○	50LUX
LUX4	●	○	○	500LUX
LUX5	○	●	●	1000LUX
LUX6	●	○	●	1500LUX
LUX7	●	●	○	2000LUX
LUX8	●	●	●	Disable

### IR Remote or Dip switch Setting

	11
IR Remote	●
Dipswitch Setting	○

### Photocell Mode Setting

	12
ON	●
OFF	○

STANDARD	DESCRIPTION
EN 61058-1	General requirements - Switches for appliances
EN 61058-1-1	Switches for appliances - Requirements for mechanical switches
EN 61000-3-2	Electromagnetic compatibility (EMC) – Part 3-2: Limits - for harmonic current emissions
EN 61000-3-3	Limits - Limitation of voltage changes, voltage fluctuations and flicker in public low-voltage supply systems, for equipment with rated current ≤ 16 A per phase and not subject to conditional connection
EN 61547	Equipment for general lighting purposes – EMC immunity requirements
EN 55015	Limits and methods of measurement of radio disturbance characteristics of electrical lighting and similar equipment