



Technical Data

Type 2 Surge Protection Device

Brief product description:

This Type 2 Surge Protection Device provides superior protection against Transient overvoltages, by diverting the surge to earth within <25ns. And protecting all loads/circuits connected to the consumer unit.

The compact size and single module width make it compatible for all Fotress Consumer units and Enclosures

Features:

- Type 2 single phase
- Fully compliant to BSEN61643-11, BSEN62305 & BSEN7671
- Single module
- 40kA
- Max back up fuse 100A gG
- Positive contact status indicator
- Compact size
- Suitable for domestic installations

Product Images



Technical Specifications

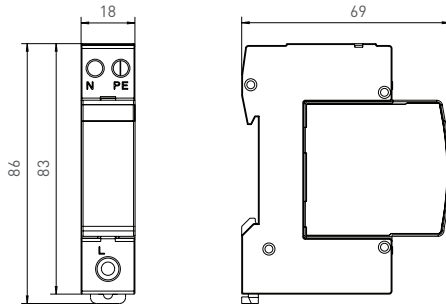
Standards	BSEN61643-11, BSEN62305
Maximum continuous voltage UCV	275V
Voltage protection level (up)3kA (8/20µs)kA	<1.5kV
Nominal discharge current(in)(8/20µs)kA	L-N 20kA, N-PE 20kA Max discharge L-N 40kA N-PE 40kA
Response time	<25ns
Recommended back up fuse	100A gG
Terminal capacity	1.5mm - 6mm ²
Terminal Torque	L - 3Nm N/PE 1.2Nm
Din rail mountable	Yes
Visual indication of status	Green: OK Red: Replace Device
Working Temperature	-25°C - + 40°C





Type 2 Surge Protection Device

Line Diagrams



Packaging Information

Cat No.	Description	Packaging Type			Pack Quantity			Barcode		
		Product	Inner Box	Outer Box	Each	Inner Box	Outer Box	Individual	Inner Box	Outer Box
CUSPDT21N	Type 2 SPD 40 kA	Printed Box	Printed Box	Printed Carton	1	10	100	5050765244992	5050765245005	5050765245012

Weights & Dimensions

Cat No.	Description	Dimensions (H x W x D) cm			Weight (kg)			CBM (m ³)
		Product	Inner Box	Outer Box	Each	Inner Box	Outer Box	Outer Box
CUSPDT21N	Type 2 SPD 40 kA	76 x 18 x 93	87 x 200 x 102	225 x 455 x 220	0.109	1.09	13	0.02252

Installation Method

To fit device onto DIN rail, fit top of device onto rail first and then push down bottom of device until retaining device clip "clicks" and locks onto DIN rail.

When fitting please ensure Main Switch is butted firmly against "pip" on far righthand side of the DIN rail.

To remove device, pull out retaining device clip from bottom of Switch (using flat blade screwdriver) and remove by lifting bottom part of switch first.