

ECO CIRCULAR DOWNLIGHT

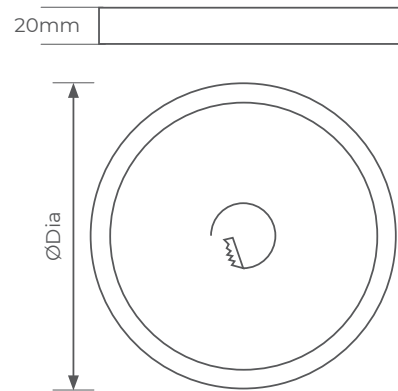
Product Features

- White aluminium frame with polycarbonate TpB diffuser
- Slimline design ideal for low ceiling voids
- Suitable for plasterboard or suspended ceiling systems
- Plug and play driver
- Super shallow 20mm luminaire recess depth



CAT NO.	LUMINAIRE LUMENS	WATTAGE	CCT	CUTOUT (mm)	DIA (mm)
ELP12W6L30	420	6W	3000K	110	120
ELP12W6L40	420	6W	3000K	110	120
ELP15W9L30	720	9W	4000K	135	145
ELP15W9L40	720	9W	4000K	135	145
ELP17W12L30	960	12W	3000K	160	170
ELP17W12L40	960	12W	4000K	160	170
ELP22W18L30	1530	18W	3000K	205	225
ELP22W18L40	1530	18W	4000K	205	225
ELP30W24L30	2040	24W	3000K	280	295
ELP30W24L40	2040	24W	4000K	280	295

Product Drawing



PRODUCT OPTIONS

Remote Emergency Pack LED3EP80

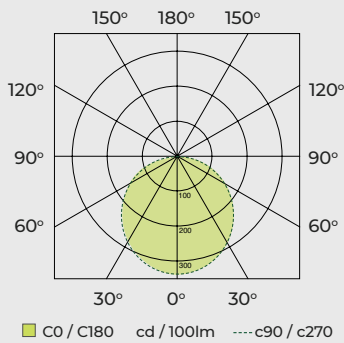
CAT NO.	IK RATING	EFFICACY Llm/cW	CRI	FREQUENCY (Hz)	SDCM	BEAM ANGLE	TEMP RANGE (°C)	AMBIENT TEMP RATED LIFE (°C)	L/B RATED LIFE
ELP12W6L30	IK02	70	80	50-60	<6	110	-20 to +25	25	L70 / B50
ELP12W6L40	IK02	70	80	50-60	<6	110	-20 to +25	25	L70 / B50
ELP15W9L30	IK02	80	80	50-60	<6	110	-20 to +25	25	L70 / B50
ELP15W9L40	IK02	80	80	50-60	<6	110	-20 to +25	25	L70 / B50
ELP17W12L30	IK02	80	80	50-60	<6	110	-20 to +25	25	L70 / B50
ELP17W12L40	IK02	80	80	50-60	<6	110	-20 to +25	25	L70 / B50
ELP22W18L30	IK02	85	80	50-60	<6	110	-20 to +25	25	L70 / B50
ELP22W18L40	IK02	85	80	50-60	<6	110	-20 to +25	25	L70 / B50
ELP30W24L30	IK02	85	80	50-60	<6	110	-20 to +25	25	L70 / B50
ELP30W24L40	IK02	85	80	50-60	<6	110	-20 to +25	25	L70 / B50

ELP12W6L30

Luminaire Performance

Light Output Ratio: 100%
 Luminaire Efficacy: 60 lm/W
 Light Distribution: A40 \pm 99.0% \pm 1.0%
 CIE Flux Codes: 46 77 95 99 100
 UGR 4H 8H
 (20%, 50%, 70%) C0 / C90: 24.7 / 24.8

Luminous Intensity

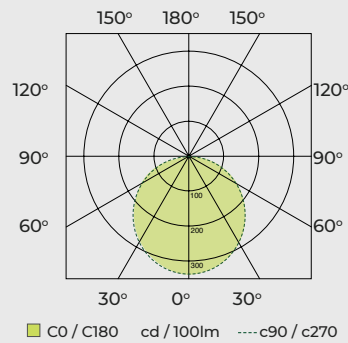


ELP15W9L30

Luminaire Performance

Light Output Ratio: 100%
 Luminaire Efficacy: 70 lm/W
 Light Distribution: A40 \pm 99.0% \pm 1.0%
 CIE Flux Codes: 46 78 99 100
 UGR 4H 8H
 (20%, 50%, 70%) C0 / C90: 25.0 / 25.2

Luminous Intensity

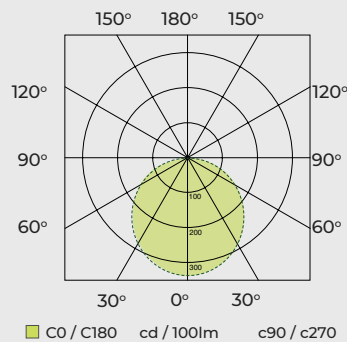


ELP22W18L30

Luminaire Performance

Light Output Ratio: 100%
 Luminaire Efficacy: 85 lm/W
 Light Distribution: A40 \pm 99.0% \pm 1.0%
 CIE Flux Codes: 46 78 95 99 100
 UGR 4H 8H
 (20%, 50%, 70%) C0 / C90: 25.6 / 25.5

Luminous Intensity

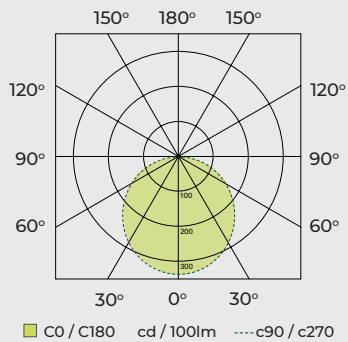


ELP30W24L30

Luminaire Performance

Light Output Ratio: 100%
 Luminaire Efficacy: 85 lm/W
 Light Distribution: A40 \pm 99.0% \pm 1.0%
 CIE Flux Codes: 46 78 95 99 100
 UGR 4H 8H
 (20%, 50%, 70%) C0 / C90: 24.3 / 24.4

Luminous Intensity



STANDARD	DESCRIPTION
EN 60598-1	Luminaires – General requirements
EN 60598-2-2	Luminaires – Recessed
EN 60598-2-22	Luminaires – Emergency
EN 61000-3-2	Electromagnetic compatibility (EMC) – Part 3-2: Limits – for harmonic current emissions
EN 61000-3-3	Limits – Limitation of voltage changes, voltage fluctuations and flicker in public low-voltage supply systems, for equipment with rated current \leq 16 A per phase and not subject to conditional connection
EN 61547	Equipment for general lighting purposes – EMC immunity requirements
EN 55015	Limits and methods of measurement of radio disturbance characteristics of electrical lighting and similar equipment