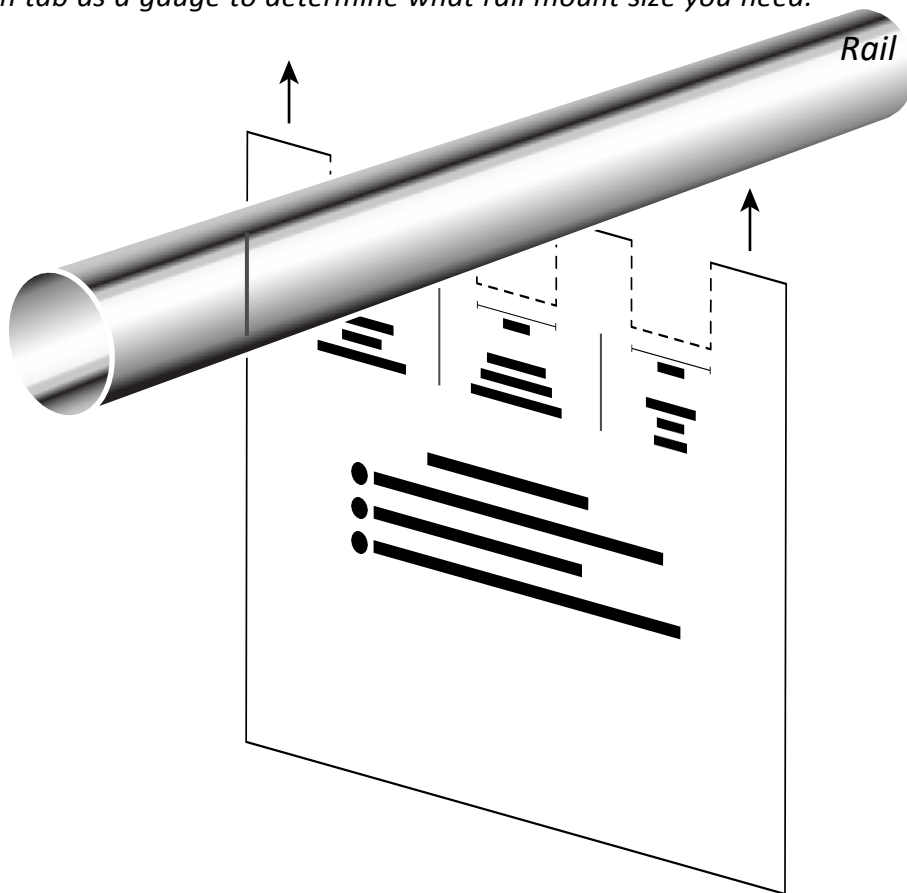


Determine Rail Size

- 1** Print this 8.5" x 11" sheet. Make sure *Scale/Fit to Page* is unchecked in print settings. Cut each
- 2** perforated line and fold down each tab.
- 3** Use each tab as a gauge to determine what rail mount size you need.



MAGMA[®]