



Assembly, Installation, Care and Use Instructions

R10-621

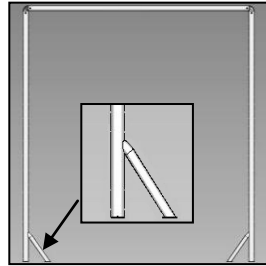
Dock / Floor Mounted Kayak / SUP Storage Rack

Application

Dock / Floor Mounted Kayak / SUP Storage Rack

Assembly / Installation

- Determine desired mounting location on dock**
 Rack requires a 66-5/8" wide x 42-3/8" deep available footprint
Attaching vertical upright's and horizontal cross bar
 Horizontal cross bar supplied with connection elbows pre-installed. Insert (1) connection elbow into (1) vertical upright. Make sure upright's side support mounting plate is positioned on the inside of of assembly (Fig 1). Secure using (2) 1/4-20 x 1/2" Stainless Steel button socket cap screws and 5/32 hex key wrench. Repeat steps for 2nd vertical upright



(Fig. 1)

- Attaching to dock**
 Leave approximately 6" from back of frame's mounting plates for vertical support installation. Place frame assembly in desired location. Make sure frame uprights are squared at 90° from top to bottom (61-1/2" on center), mark mounting holes. Set rack aside, drill small pilot holes. Using (16) #14 x 1 1/2" truss head screws attach rack assembly to dock and securely tighten.

Note: It is not necessary to use all supplied mounting fasteners. Usually only (2) per pad diagonally opposed in the corners are required.

- Attaching base support arms**
 Fit base support arm's attachment bracket over vertical upright and insert (2) 1/4-20 x 2" button socket cap screws. Repeat step for 2nd support arm. Mark mounting plate holes on dock, remove fasteners, set arms aside, drill small pilot holes. Once holes are drilled attach support arms to vertical upright's with 1/4-20 x 2" button socket cap screws (inserted from the outside in), 1/4-20 nylock nuts, secure using a 7/16 wrench and 5/32 hex key wrench (Fig. 2). Attach base support arm to dock using (8) #14 x 1 1/2" truss head screws and securely tighten. Repeat steps for 2nd support arm

Note: It is not necessary to use all supplied mounting fasteners. Usually only (2) per pad diagonally opposed in the corners are required.

- Attaching vertical support upright to dock**
 Note: support uprights must be mounted to dock prior to attaching to rack's vertical support uprights
 Align connection bracket with vertical upright with 1/4" between mounting pads. Mark support's mounting plate holes, set support's aside, drill small pilot holes. Using (8) #14 x 1 1/2" truss head screws attach both support uprights to dock and securely tighten (Fig. 3)

Note: It is not necessary to use all supplied mounting fasteners. Usually only (2) per pad diagonally opposed in the corners are required.

- Attach vertical support uprights to rack**
 Align support upright's connection bracket with rack's frame assembly. Slightly pulling rack towards vertical support upright until connection bracket is aligned, insert (1) spacer washer on each side between upright and bracket, and install (1) 1/4-20 x 2-1/4" button socket cap screw through connection bracket / spacer washers / vertical upright (from the outside in) and secure with (1) 1/4-20 nylock nut using a 7/16 wrench and 5/32 hex key wrench (Fig. 4). Repeat steps for 2nd vertical support upright
 Note: spacer washer's are not required if a kayak / SUP storage arm is to be mounted in that hole location.

- Installing storage arms to rack**
 Once the necessary space required between equipment is determined, vertically space arms accordingly. Fit attachment bracket over vertical upright, install (2) 1/4-20 x 2" button socket cap screws from the outside in, (2) 1/4-20 nylock nuts, secure using a 7/16 wrench and 5/32 hex key wrench (Fig. 5).

- Adjusting rack arms to fit equipment**
 If additional adjustment is required to fit larger or smaller equipment simply remove attachment fasteners, reposition arm's in desired location and repeat installation procedure

- Securing equipment to rack**
(Securing tie down strap's not included)
 Attach tie-down strap to rack's arm connection at the main frame, extend over equipment, and attach strap's hook to securing eyelet.

Care and Use

- Kayak's and SUP's should be secured to rack when not in use
- Periodically wash rack with environmentally friendly boat soap, fresh water, and a clean cloth to remove any debris, wipe dry
- Water toys should always be rinsed with fresh water

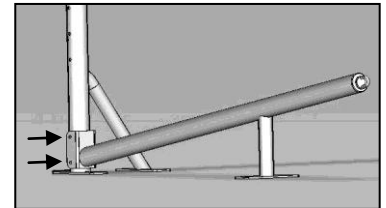
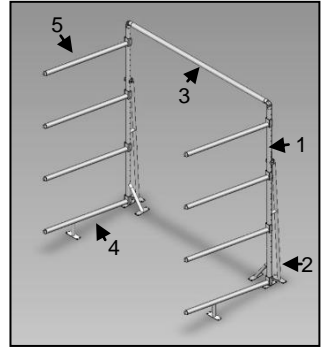
Contents

- 2 - 1 1/2" x 6" Stainless Steel vertical upright (# 1)
- 2 - 1" Stainless Steel vertical support upright (# 2)
- 1 - 1 1/2" x 6" Stainless Steel horizontal cross bar (# 3)
- (2) pre-installed Anodized aluminum connection elbows
- (8) pre-installed 1/4-20 x 1/2" Stainless Steel button socket cap screw
- 2 - 1 1/2" x 36" Stainless Steel base support arm (# 4)
- with pre-installed foam pads
- 6 - 1-1/2" x 36" Stainless Steel arm with pre-installed foam pads (# 5)
- 16 - 1/4-20 x 2" Stainless Steel button socket cap screw
- 2 - 1/4-20 x 2 1/4" Stainless Steel button socket cap screw
- 18 - 1/4-20 Stainless Steel nylock nut
- 4 - Stainless Steel washer, spacer
- 32 - #14 x 1 1/2" Stainless Steel Phillips Truss Head Screw
- 1 - 5/32 hex key wrench

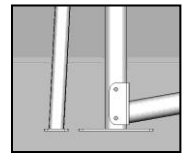
Assembly Tools Required

7/16 wrench

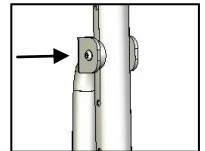
Additional Tools Required for Mounting Installation



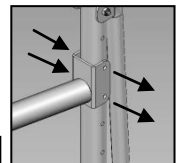
(Fig. 2)



(Fig. 3)



(Fig. 4)



(Fig. 5)

Limited Warranty

*****Original Proof of Purchase Required for all Warranty Claims*****

Magma Products, Inc. guarantees this product to be free from defects in materials and workmanship for (1) year from the date of purchase to the original consumer. This guarantee is for the periods herein specified when used under normal and reasonable conditions in a non-commercial or non-institutional environment.

Under normal use conditions the UV protected foam padding will withstand regular exposure to the sun's harmful rays and is covered by (1) year limited warranty. Tearing or ripping damage to foam padding caused by general misuse will not be covered under conditions of warranty. For additional information and full conditions of warranty visit www.magmaproducts.com