

Heavy  
Duty

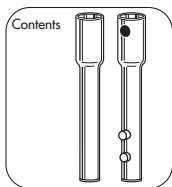
# MAGMA<sup>®</sup>

U S A

Fits Magma Dual Mountable  
Rectangular Grills,  
Dual Mount "DM" and  
Tournament Series Tables

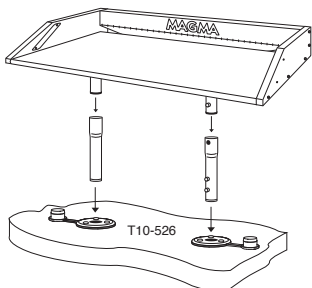
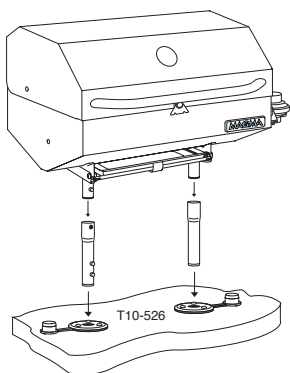
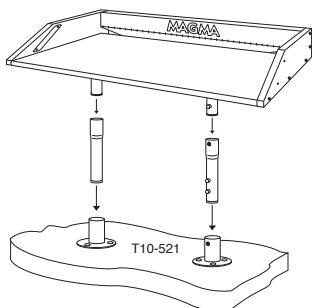
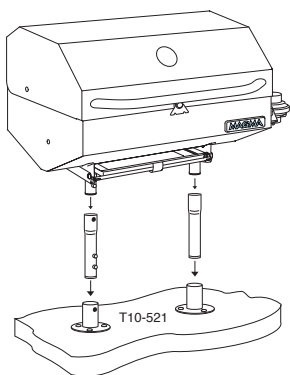
## 6" (15.0 cm) "DUAL" GRILL AND TABLE HEIGHT LOCKING EXTENSION SET

If your gunnel or mounting surface is a bit low, bring your grill or dual mount table to a more convenient height with one of these dual locking socket mount extension sets. Constructed of 304 stainless steel tubing for superior corrosion resistance in even the harshest of marine environments. The locking spring clip mechanism secures your grill or table in place while allowing for quick convenient disassembly and storage. Designed for use with any Magma "Dual Mount" locking socket mount assembly.



**NOTE: Cannot be used with T10-515 kettle grill mount.**

- Fits all Dual Locking Socket Mounts
- Grills and tables sold separately.
- Dual locking socket mount sold separately.



T10-513

MAGMA PRODUCTS, INC.  
3940 PIXIE AVE. • LAKEWOOD, CA 90712  
TEL: (562) 627-0500 • FAX: (562) 627-0550  
MagmaProducts.com • mail@MagmaProducts.com

MADE IN THE  
U.S.A.

81-513B 0818