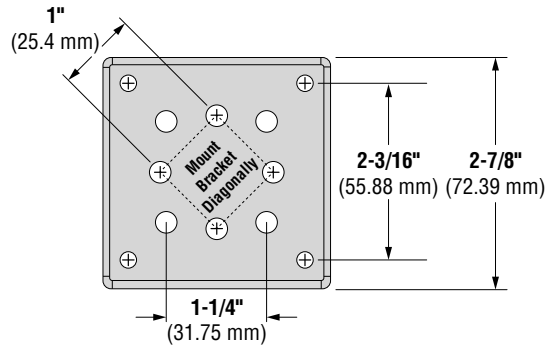
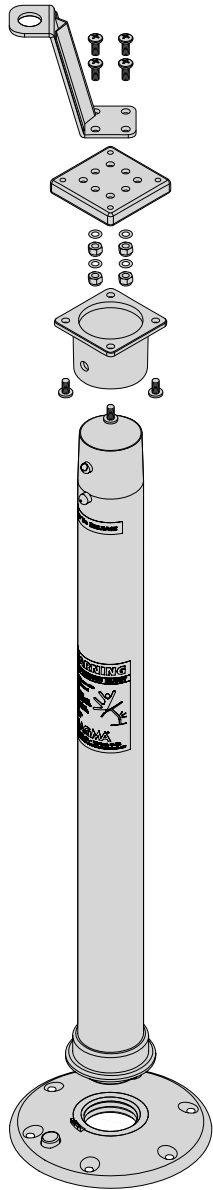


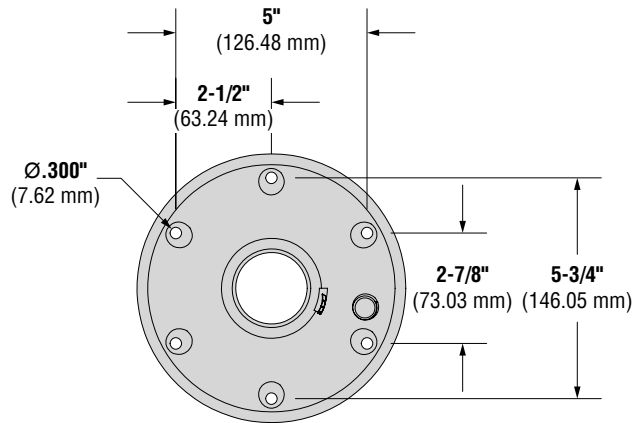
# A10-184

## 28" Double Locking Stowable Pedestal Mount

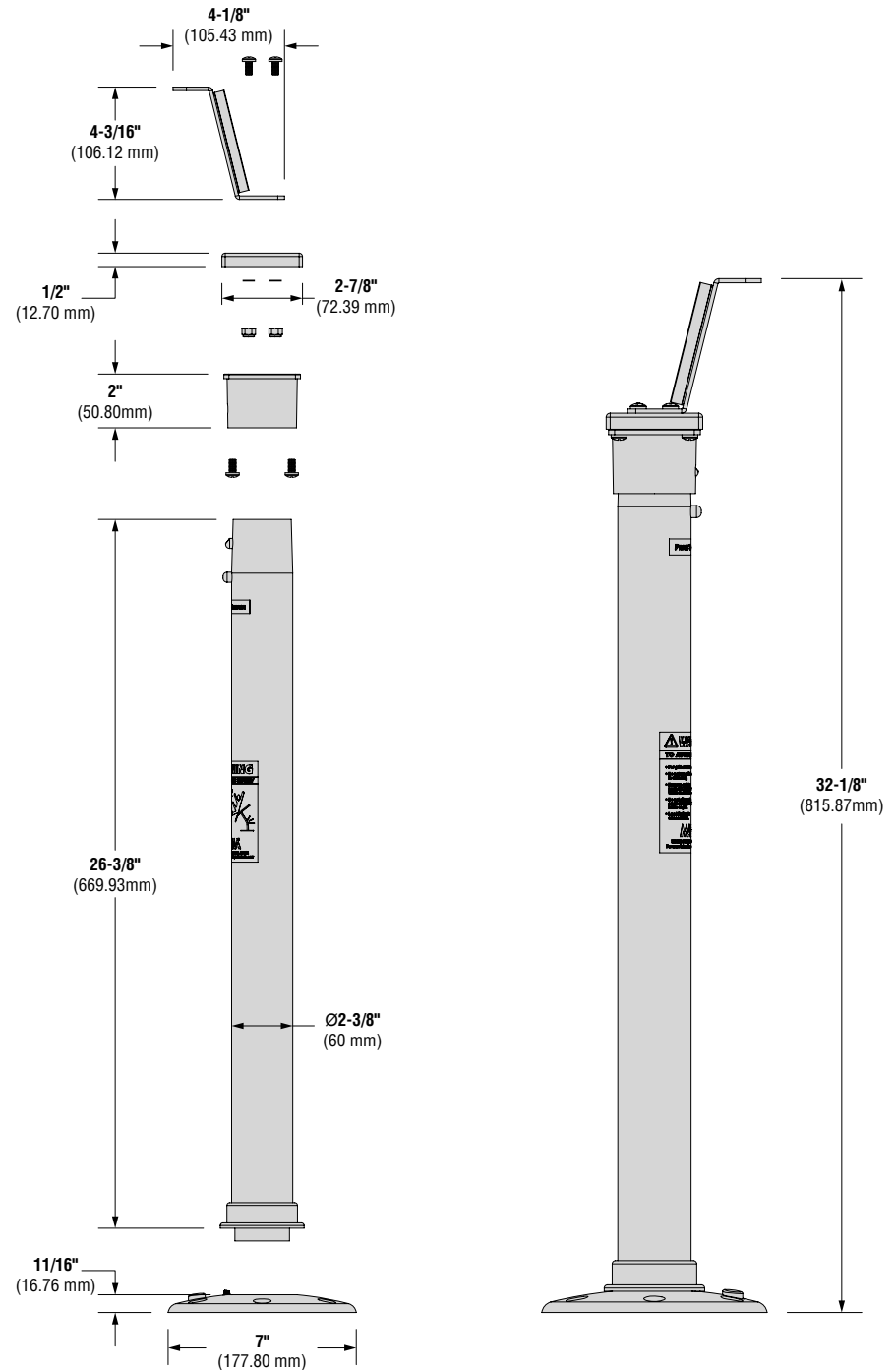
Mount Weight 4.5 lb.  
(2.0 kg)



**Top View**  
Grey Aluminum Mounting Pad



**Top View**  
Pedestal Base



MAGMA PRODUCTS, INC. • 3940 Pixie Ave. • Lakewood, CA 90712 • USA • Tel: (562) 627-0500  
MagmaProducts.com • mail@MagmaProducts.com