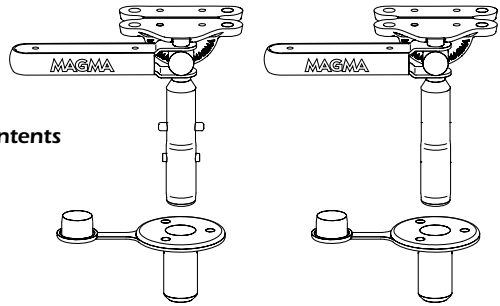


Fits any Magma Tournament Series Tables

Heavy Duty

Contents



Tools required	Fasteners required
<p>• 1 1/8" (28.5mm)</p>	<p>• x6 • x6 • x6 • x6 • 1/4" (6mm)</p>

Two attractive mirror polished 18-8 stainless steel flush mounted deck sockets and posts combined with our patented 18-8 stainless steel and hard anodized aluminum "Levelock" adjustable fish rod holder mount. Allows for quick adjustment for optimum drainage of your cleaning station. Features a push button/pin lock for instant installation or storage without tools. Sockets include an integral flip-up water seal cap.

NOTE: Instructions and fasteners for mounting to Tournament Series Tables are included with the tables.

