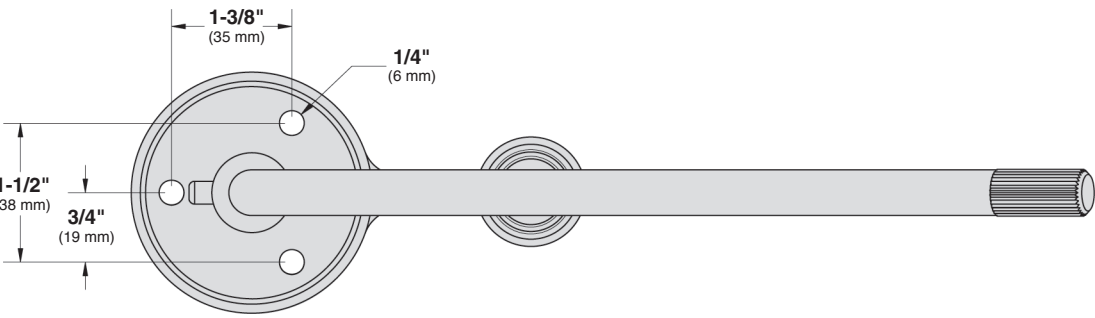
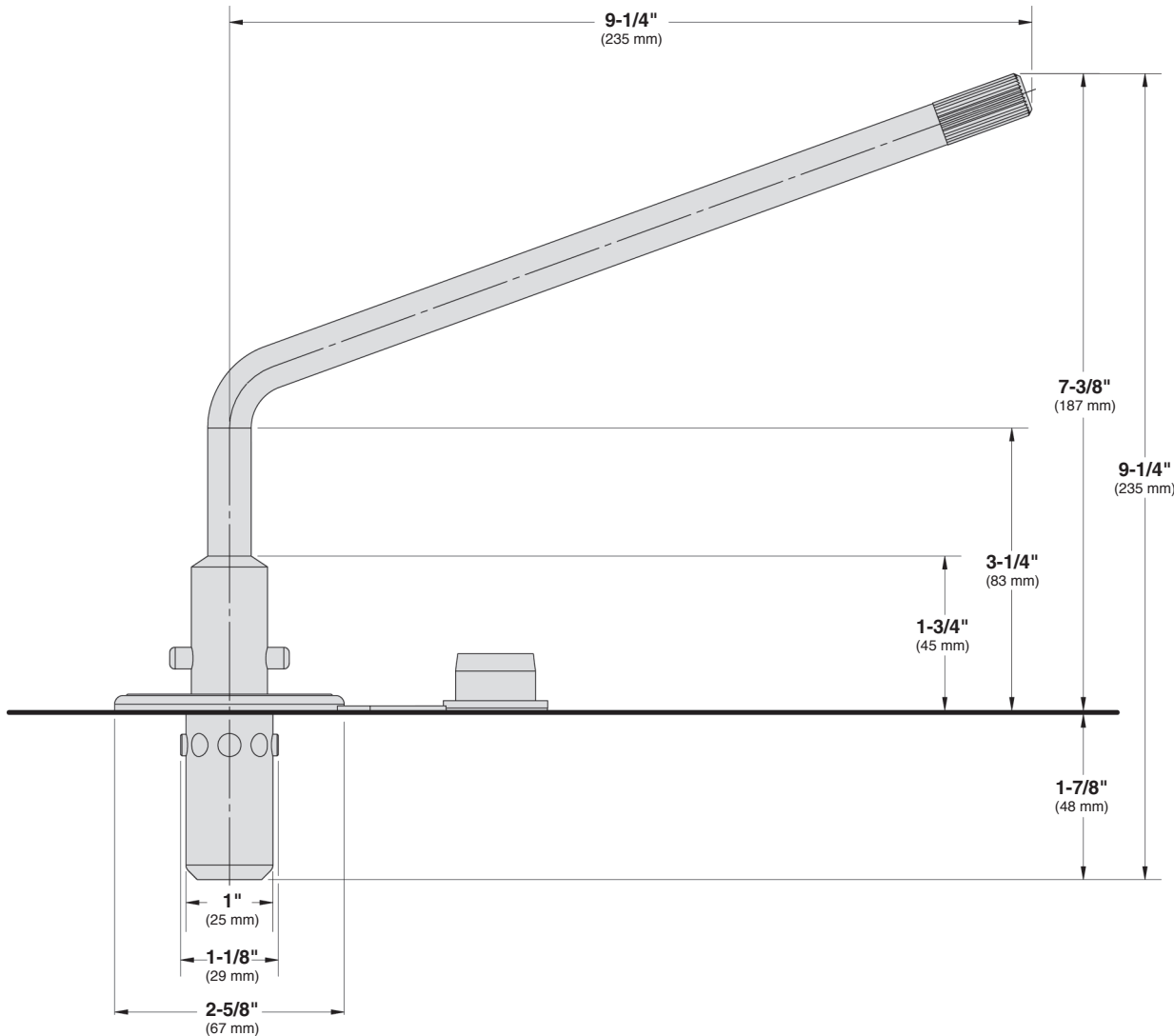


A10-126 Flush Deck Rotating Socket Mount

Mount Weight 1.19 lb.
(0.5 kg)



MAGMA PRODUCTS, INC. • 3940 Pixie Ave. • Lakewood, CA 90712 • Tel: (562) 627-0500
MagmaProducts.com • Mail@MagmaProducts.com