

# T10-455 Dock Cleaning Station Mount

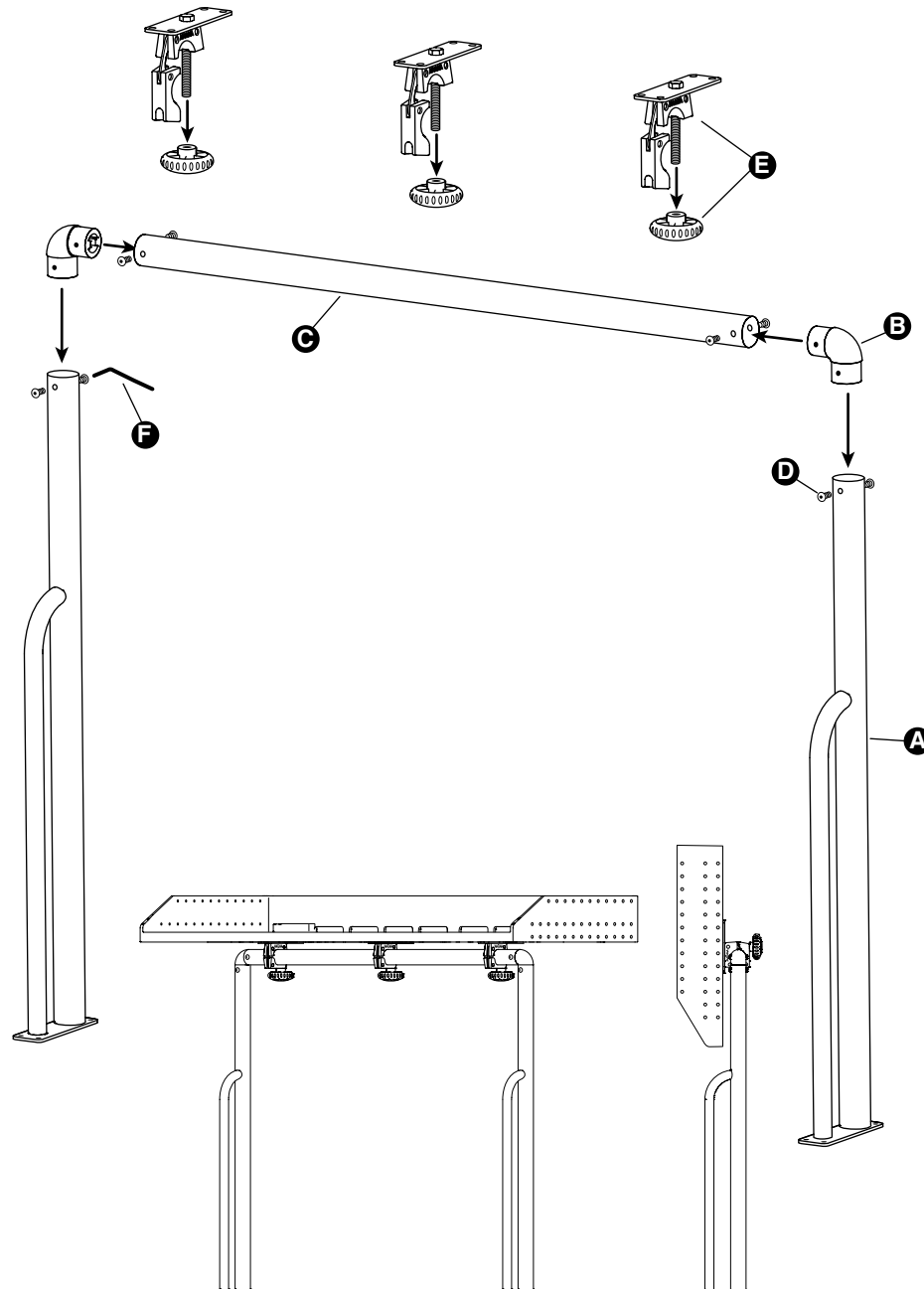
## Contents

- A** 2 - 1-1/2" dia. vertical railing section
- B** 2 - 90° anodized aluminum elbow
- C** 1 - 1-1/2" horizontal railing section
- D** 8 - 1/4"- 20 X 1/2" Socket button head screw
- E** 3 - 1-1/2" round rail clamp with knob
- F** 1 - 5/32" hex wrench

## Tools Required



**Additional fasteners  
required for  
complete installation.**



**MAGMA**  
U S A

MAGMA PRODUCTS, INC. • 3940 Pixie Ave. • Lakewood, CA 90712 • USA • Tel: (562) 627-0500  
MagmaProducts.com • mail@MagmaProducts.com