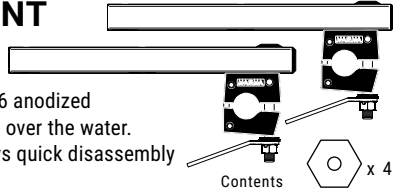
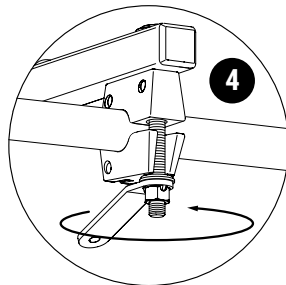
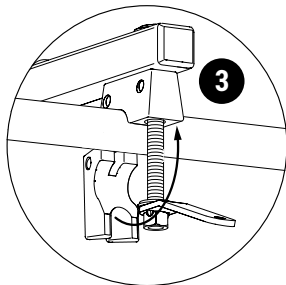
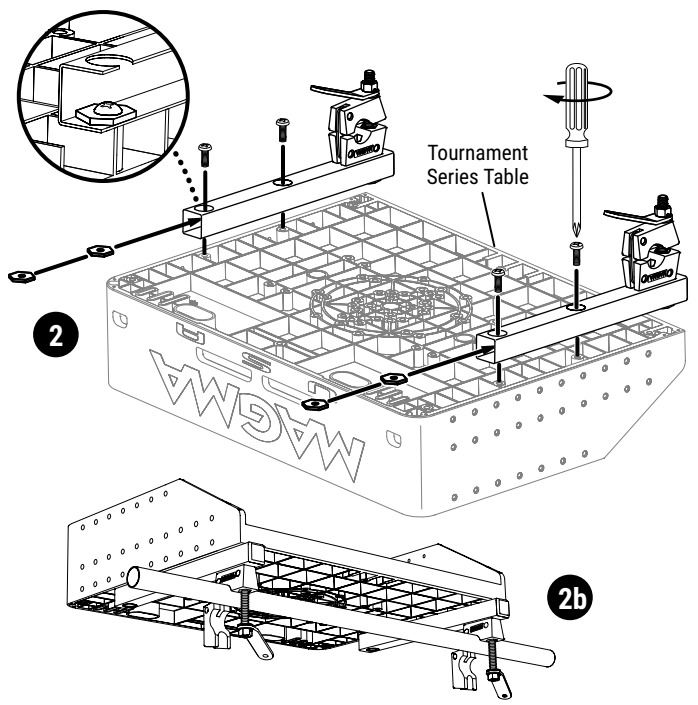
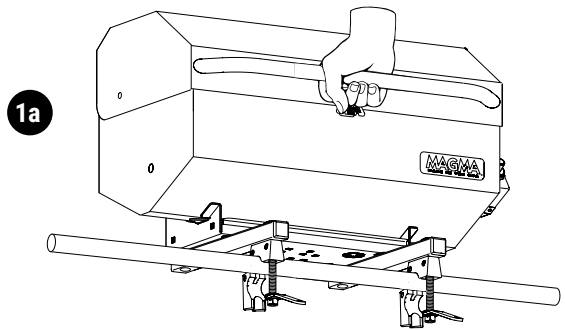
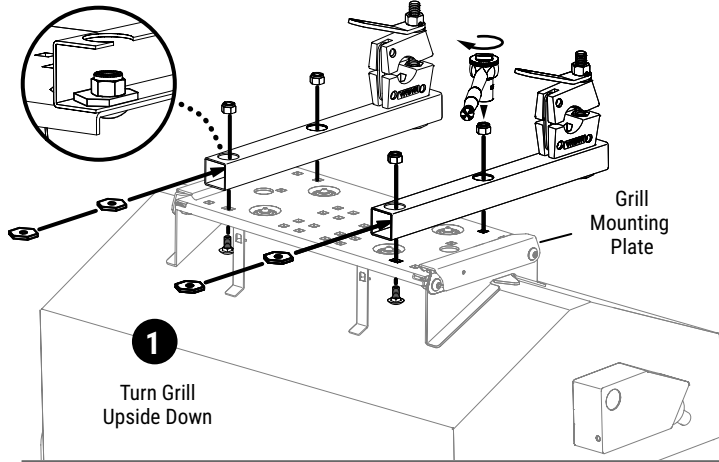


## “DUAL” EXTENDED HORIZONTAL ROUND RAIL MOUNT

This round rail, quick-disconnect, mounting bracket is made entirely of 18-8 stainless steel and hard 356 anodized aluminum. Allows mounting of out over the water. The quick-disconnect system allows quick disassembly leaving no hardware on the rail.



**NOTE:** Instructions and fasteners for mounting to Gourmet Series Grills, Connoisseur Series Grills, and Tournament Series Tables are included with the grills and tables.



### T10-690 Fits Large 1-1/2" Horizontal Round Rail