

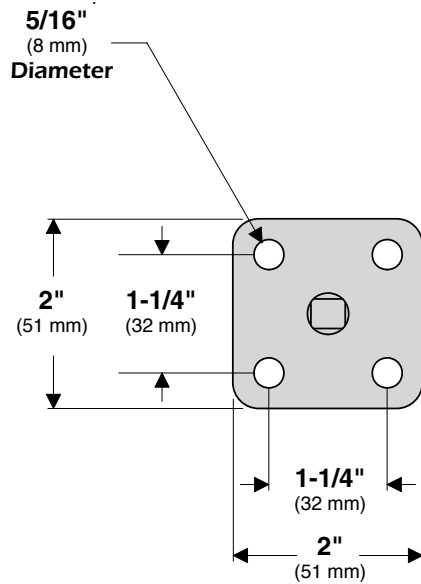
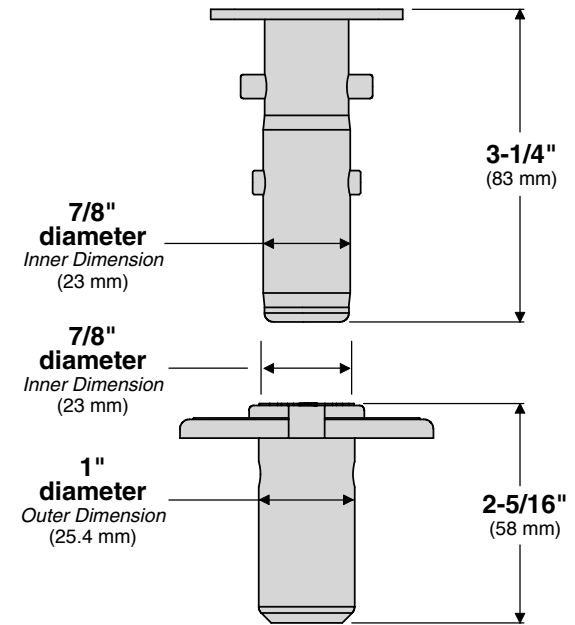
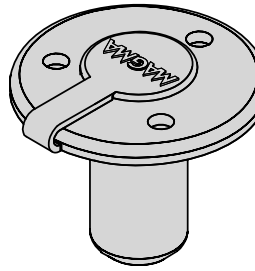
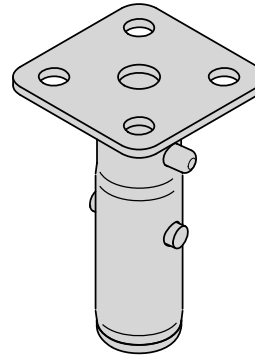
# T10-326

## “Single” Locking Flush Deck Socket Mount

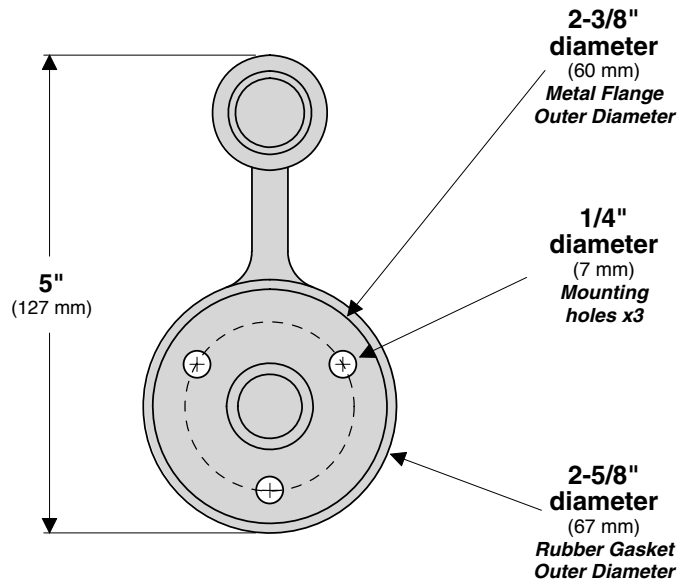
Mount Weight 0.70 lb.  
(0.32 kg)

**MAGMA**  
U S A

MAGMA PRODUCTS, INC.  
3940 Pixie Ave. • Lakewood, CA 90712  
Tel: (562) 627-0500  
MagmaProducts.com  
Mail@MagmaProducts.com



**TOP  
VIEW**



**SOCKET TOP  
VIEW**

